

APC-9210

21.5", Capacitive Touch Screen, android 10, Ture-Flat Android Panel PC



Features

- 21.5" LED backlight LCD and P-Cap Multi-Touch Panel
- Front Panel IP65
- Rockchip RK3399, ARM 2xCortex-A72+4xCortex-A53 1.8GHZ
- Panel and VESA Mounting



Specifications

System

CPU	Rockchip RK3399, ARM 2xCortex-A72+4xCortex-A53 1.8GHZ
GPU	Mali-T860 GPU MP4 GPU
Memory	DDR3 4GB
Storage	EMMC 16G/32G
Operating System	Android 10

Display

Size	21.5-inch
Resolution	1920 x 1080
Viewing Angle	89/89/89/89
Color Support	16.7M
Brightness	250 cd/m ²
Contrast Ratio	3000:1
Response Time	20/5 (Typ.)(Tr/Td) ms
Backlight	LED
Backlight Life	40000h

Touch screen

Type	Projection multi touch capacitive touch screen
Control Interface	USB
Surface Hardness	≥6H
Transmittance	85%

I/O Connectors

Serial Port	1x RS-232
USB Port	4 x USB3.0
Ethernet	2 x GbE LAN
GPIO	1 x GPIO (Optional)
Others	1 x DC-IN (3-Pin Phoenix) 1 x Remote switch connector 1 x ATX Power Switch

Audio

Audio	1 x Line-out 1 x Line-in
Speaker	2 x Speaker (Optional)

Wireless

WIFI	2.4GHz/5GHz
M.2	M.2 3042 for 4G ; M.2 3052 for 5G ;

Power Specification

Power Input	9~36V
Power Adapter	AC-DC, 12V@5A, 60W
Power Consumption	18W(Typ.)

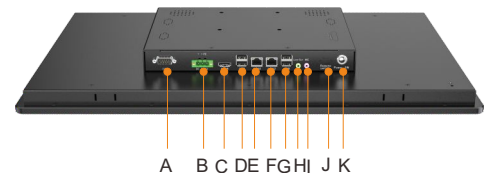
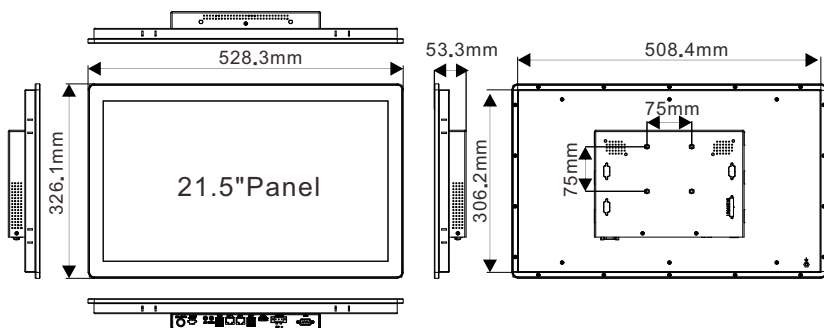
Environment

Operating Temperature	-10~50°C
Storage Temperature	-20~60°C
Relative Humidity	10%-90%, @ 40°C (non-condensing)
Vibration	5~500Hz, 0.026 G ² /Hz, 2.16 Grms, X, Y, Z, 1 hour per axis
Certifications	CE, FCC

Physical Characteristics

Hoasing	Aluminum alloy panel, all-metal structure
Mounting Mode	Panel-mount, VESA-mount
Dimension (W x L x H)	528.3 x 326.1 x 53.3 mm
Weight	5.45Kg

Dimension



A: COM	G: Line-out
B: DC 9~36V	H: Mic
C: USB	I: COM2
D: LAN1	J: Remote Switch
E: LAN2	K: Power SW
F: USB	