

DPC-6152WR

15.6", Capacitive Touch, Intel Skylake Core I5-6200U, MES Workstation Industrial Panel PC



Features

- 15.6" LED backlight, Capacitive projection touch screen
- Fanless design, True Flat Front Panel
- Embedded Intel Skylake Core I5-6200U(2.3GHz) processor
- Build-in HF RFID
- Panel and VESA mounting



Specifications

System

CPU	Intel Skylake Core I5-6200U(2.3GHz)
Memory	2 x SO-DIMM DDR4-2133 (Up to 32GB)
Storage	1 x 2.5" Drive Bay for SATA HDD/SSD 1 x Full-size Mini-PCIe for mSATA SSD
Operating System	Windows 7/8.1/10

Display

Display Type	15.6" TFT LED
Viewing Angle (H/V°) Size	80/80/80/80
Size	15.6-inch
Resolution	1366 x 768
Brightness	300 cd/m ²
Contrast Ratio	500:1
Backlight	LED
Backlight Life	50000 Hrs
VGA	Up to 2560 x 1600
HDMI	Up to 1920 x 1080
Multi-Display	Dual Display (LVDS + VGA/HDMI)

Touchscreen

Touch type	Multi-touch projected capacitive
------------	----------------------------------

I/O Connectors

Serial Port	2 x RS-232 (COM1/2)
USB Port	1 x USB3.0 4 x USB2.0
Ethernet	2 x GbE LAN
Display	1 x HDMI, 1 x VGA
Audio	1 x Line-out (Optional) 1 x Mic (Optional)
Others	1 x DC-IN (2-Pin Phoenix) 1 x Pre-Switch

RFID

Frequency	13.56MHz
Baud Rate	9600~115200 bits/s (Default 9600)
Reading Distance	≤ 10mm
Protocol	ISO/IEC14443A、ISO/IEC 14443B、ISO/IEC 15693

Expansion

Mini-PCIe	1 x Full-size Mini-PCIe for mSATA 1 x Full-size Mini-PCIe
-----------	--

Power Management

Power Input	DC 12V
Power Adapter	AC-DC, 12V@5A, 60W
Power Consumption	29W (Typ)

Environmental

Operating Temperature	-10~50°C
Storage Temperature	-20~60°C
Relative Humidity	10%-90%, @ 40°C (non-condensing)
Vibration	5~500Hz, 0.026 G ² /Hz, 2.16 Grms, X, Y, Z, 1 hour per axis
Certifications	CE, FCC

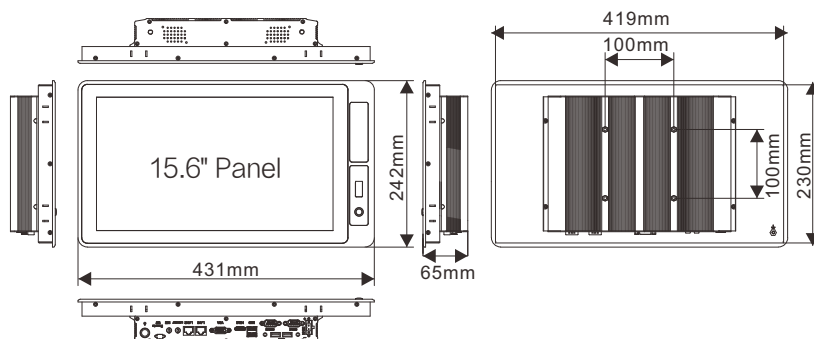
Mechanical

Housing	Aluminum alloy panel, all-metal structure
Mounting Mode	Panel-mount, VESA-mount
Dimension (W x L x H)	431 x 242 x 65 mm
Weight	5.5Kg

Packing List

1 x DPC-6152WR
1 x AC-DC Power Adapter
1 x Certificate
1 x Warranty Card
8 x Panel Mounting Buckles

Dimension



A: DC-INPUT	H: LAN1
B: COM1	I: LAN2
C: USB	J: Line-out
D: COM2	K: Mic
E: USB	L: Remote Switch
F: HDMI	
G: VGA	