

DPC-7191

19.1", Resistive / Capacitive Full Plane Touch Screen, Intel Whiskey Lake Core I3/I5/I7 Processor.



Features

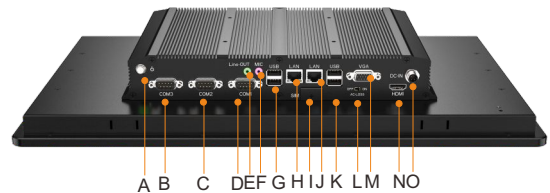
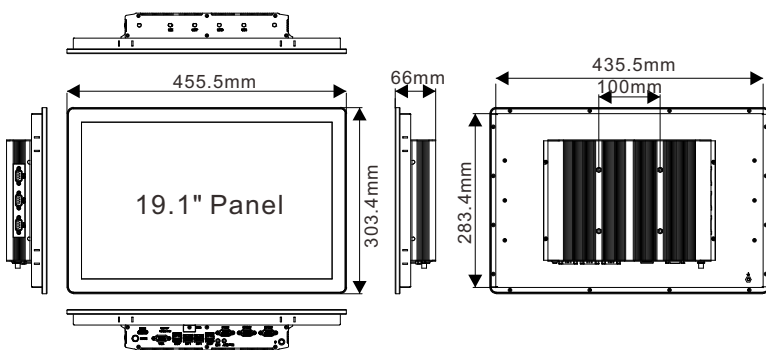
- 19.1" LED backlight LCD, capacitive touch screen, resistive touch screen
- Fanless design, integral aluminum alloy profile heat dissipation.
- Intel Whiskey Lake Core I3/I5/I7 processor
- 3 COM, 4 USB, 2 GbE, HD Audio, VGA, HDMI
- Support WiFi 6 4G 5G communication
- Panel and VESA mounting



Specifications

System		Expansion	
CPU	Intel® Whiskey Lake-U I3-8145U (2.3GHz) Dual core four thread processor/ I5-8265U (1.6GHz)/ I7-8565U (1.8GHz) quad core eight thread processor	Mini-PCle	1 x Full-size Mini-PCle for WIFI
Memory	2 * SO-DIMM DDR4-2400 (UP to 32GB)	M.2	M.2 3042 for 4G ; M.2 3052 for 5G
Storage	1 x 2.5" Driver Bay for SATA HDD/SSD 1 x Full-size Mini-PCle for mSATA SSD	Audio	
Operating System	Windows 8.1/10	Audio	1 x Line-out 1 x Line-in
Display		Speaker	2Ω5W speaker(Optional)
Size	19.1-inch	Power Specification	
Resolution	1440 x 900	Power Input	9~36V
Viewing Angle	85/85/80/80	Power Adapter	AC-DC, 12V@7A, 84W
Brightness	250 cd/m ²	Power Consumption	25W(Typ.)
Backlight	LED	Environment	
LED Lifetime	30000 hrs	Operating Temperature	-10~50
VGA	Up to 1920 x 1200@60Hz	Storage Temperature	-20~60
HDMI	Up to 4096 x 2304@24Hz	Relative Humidity	10%-90%,@ 40°C (non-condensing)
Multi-Display	Dual display (LVDS + VGA/HDMI)	Vibration	5~500Hz, 0.026 G ² /Hz, 2.16 Grms, X, Y, Z, 1 hour per axis
Touch Screen		Certifications	CE, FCC
Type	5-Wire Analog Resistive Touch Projected Capacitive Touch	Physical Characteristics	
Transmittance	80%/87%	Housing	Aluminum alloy panel, all-metal structure
Control Interface	USB	Mounting Mode	Panel-mount, VESA-mount
Surface Hardness	≥3H/≥6H	Dimension (W x L x H)	455.5x303.4x66 mm
I/O Connectors		Weight	6.8Kg
Serial Port	3 x RS-232 (COM2/3 support RS-232/422/485)	Packing List	
USB Port	2 x USB3.0 2 x USB2.0	1 x DPC-7191	
Ethernet	2 x GbE LAN	1 x AC-DC Power Adapter	
Display Interface	1 x HDMI, 1 x VGA	1 x Certificate	
Others	1 x DC-IN (3-Pin M8)/1 x Remote Switch Connector 1 x ATX Power Switch/1 x AC LOSS 1 x SIM slot (4G 5G)	1 x Warranty Card	
		8 x Panel Mounting Buckles	

Dimension



- | | |
|--------------|-------------|
| A: Remote SW | I: SIM |
| B: COM3 | J: LAN |
| C: COM2 | K: USB |
| D: COM1 | L: AC-Loss |
| E: Line-out | M: VGA |
| F: MIC | N: HDMI |
| G: USB | O: DC-Input |
| H: LAN | |