

DPC-9100

10.1", Resistive / Capacitive Full Plane Touch Screen



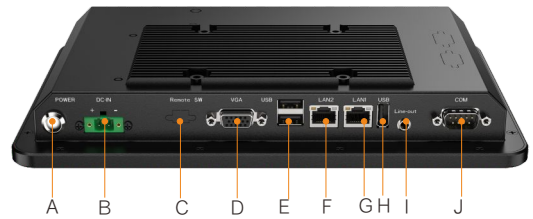
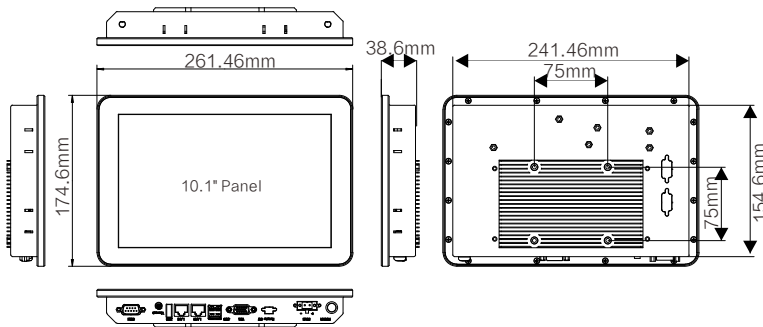
Features

- 10.1" LED Backlight LCD, Capacitive Touch Screen, Resistive Touch Screen
- Fanless Design, Integral Aluminum Alloy Profile for Heat Dissipation.
- Intel Quad-Core Celeron J1900 (2.0GHz)
Intel Quad-Core Celeron J4125 (1.50GHz)
Intel Quad-Core Celeron J6412 (2.0GHz)
- 2 COM, 3 USB, 2 GbE, HD Audio, VGA, HDMI
- Panel and VESA mounting



| System | | DPC-9100 | |
|---------------------------------|---|---|--|
| CPU | Intel Quad-Core Celeron J1900 (2.0GHz) | Intel Quad-Core Celeron J4125 (1.50GHz) | Intel Quad-Core Celeron J6412 (2.0GHz) |
| Memory | 4GB SO-DIMM DDR3L-1333/1600 (Up to 8GB) | 1 x SO-DIMM DDR4-2400 (Up to 8GB) | 1 x SO-DIMM DDR4-3200 (Up to 8GB) |
| Storage | 1 x Full-size Mini-PCIe for mSATA SSD | 1 x Full-size Mini-PCIe for mSATA SSD | 1 x Full-size Mini-PCIe for mSATA SSD |
| Operating System | Windows 7/8.1/10 | Windows 8.1/10 | Windows 8.1/10 |
| Display | | | |
| Size | 10.1-inch | | |
| Resolution | 1280 x 800 | | |
| Viewing Angle | 85/85/85/85 | | |
| Brightness | 16.7M | | |
| Backlight | 350 cd/m ² | | |
| LED Lifetime | 800:1 | | |
| VGA | 2/5 (Typ.)(Tr/Td) ms | | |
| HDMI | LED | | |
| Multi-Display | 25000 hrs | | |
| Touch Screen | | | |
| Type | Projection multi touch capacitive touch/ 5-Wire Analog Resistive Touch | | |
| Control Interface | USB | | |
| Surface Hardness | ≥6H& 3H | | |
| Transmittance | 85% & 79% | | |
| I/O | | | |
| Serial Port | 1x RS-232 | | |
| USB Port | 3 x USB | | |
| Ethernet | 2 x GbE LAN | | |
| Others | 1 x VGA 1 x DC-IN (2-Pin Phoenix) 1 x Remote switch connector 1 x ATX Power Switch | | |
| Audio | | | |
| Audio | 1 x Line-out 1 x Line-in | | |
| Speaker | 2 x Speaker (Optional) | | |
| Power Specification | | | |
| Power Input | 12V 9~36V(Optional) | | |
| Power Adapter | AC-DC, 12V@5A, 60W | | |
| Power Consumption | 13W(Typ.) | | |
| Environment | | | |
| Operating Temperature | 0~50°C | | |
| Storage Temperature | -10~60°C | | |
| Relative Humidity | 10%-90%,@ 40°C (non-condensing) | | |
| Vibration | 5~500Hz, 0.026 G ² /Hz, 2.16 Grms, X, Y, Z, 1 hour per axis | | |
| Certifications | CE, FCC | | |
| Physical Characteristics | | | |
| Housing | Aluminum alloy panel, all-metal structure | | |
| Mounting Mode | Panel-mount, VESA-mount | | |
| Dimension (W x L x H) | 261.4 x 174.6 x 34 mm | | |
| Weight | 1.8kg | | |
| Packing List | | | |
| | 1 x DPC-9100 1 x AC-DC Power Adapter 1 x Certificate 1 x Warranty Card 8 x Panel Mounting Buckles | | |

Dimension



- A: Power
- B: DC-input
- C: Remote SW
- D: VGA
- E: USB
- F: LAN2
- G: LAN1
- H: USB
- I: Line-out
- J: COM