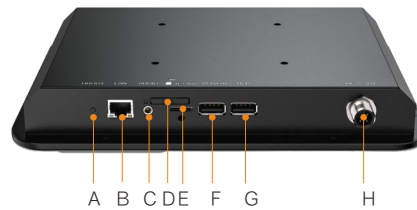


FMT-611A

8", Capacitive Touch, Qualcomm Platform, Android 8.1, WiFi / Bluetooth / 4G / GPS, Fleet Management Data Terminal



- | | |
|-------------|-------------|
| A: UBOOT | E: TF |
| B: LAN | F: USB/OTG |
| C: Line out | G: USB |
| D: SIM | H: DC 8~36V |



Introduction

FMT-611A is an industrial grade vehicle terminal designed for fleet management application, Equipped with 8-inch capacitive touch screen, Qualcomm high-performance 8-core processor, Android 8.1 operating system, optional Wi-Fi, 4G, GPS, Bluetooth and other wireless communication modules, it can achieve real-time scheduling and all-round monitoring and management of vehicles.

Features

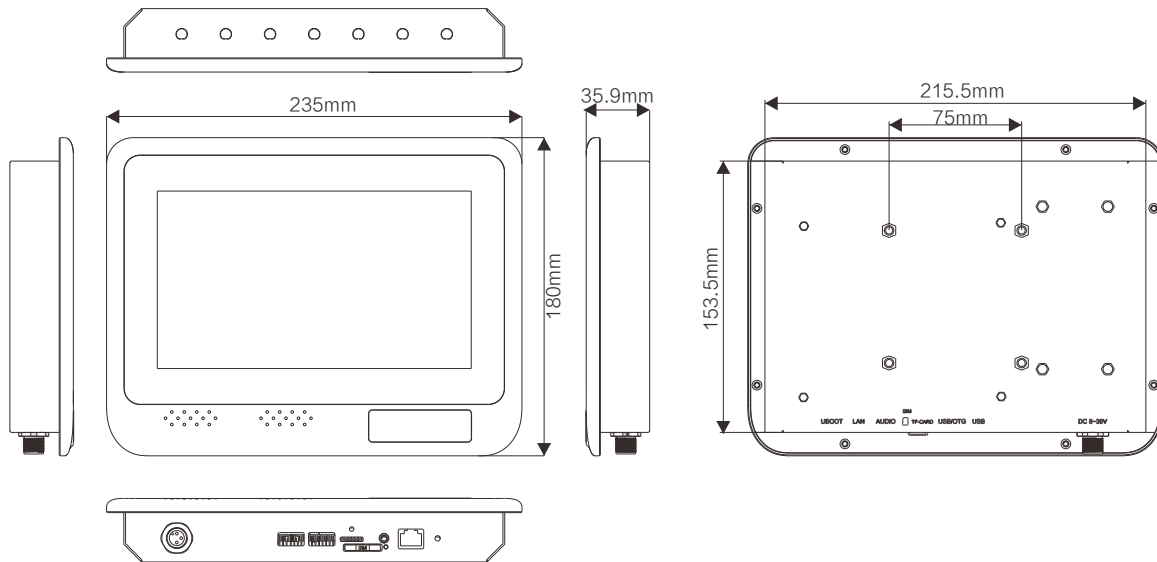
- 8-inch(1280x720) LCD with capacitive touchscreen
- Qualcomm high-performance 8-core processor, up to 2.0GHz
- Rugged metal enclosure and fanless design
- Wide range 8-36V DC power input
- Build-in WiFi, Bluetooth, LTE, GPS

Applications

- Manufacturing Logistics
- Warehouse Management
- Vehicle management of driving school



Dimensions



Specifications

System		I/O Connectors	
Features	Qualcomm 8-core Cortex-A53, up to 2.0GHz	USB	1 x USB 1 x USB / OTG
System Memory	2GB LPDDR4	Ethernet	1 x LAN (100M)
Storage	16GB EMMC	SIM	1 x SIM Slot
Expansion Slot	1 x TF Card, up to 64GB	Audio	
Operating System	Android 8.1	Earphone	1 x Line-out
Display		Speaker	1 x 8Ω/2W
Size	8-Inch	Power Management	
Resolution(H x V)	1280 x 720	Power Input	8~36VDC
Brightness	750 cd/	Power Consumption	12W typ.
Touchscreen	Capacitive	Environmental	
Keypad & Keyboard		Operating Temperature	-20~60°C
Keypad & Keyboard	Power on/off Brightness +/-	IP Protection Level	IP54
RF Communication		Standard Mounting	VESA 75
WLAN	802.11 a/b/g/n/ac (2.4G/5G)	Testing standard	MIL-STD 810G
WWAN	4G LTE, FDD/TDD, TD-SCDMA/WCDMA, CDMA/GSM	Authentication	CE FCC
GPS	GPS/GLONASS/BeiDou/QZSS/Galileo/SBAS	Mechanical	
Bluetooth	Bluetooth V4.2	Housing	Aluminum+SGCC
		Dimension	235 × 180 × 35.9mm
		Weight	1.35Kg