

FMT-612A

8", Capacitive Touch, Rockchip Platform, Android 11, WiFi / Bluetooth / 4G / GPS, HDMI/COM/CAN, Fleet Management Data Terminal



A: UBOOT
B: AUDIO
C: LAN
D: HDMI
E: TF
F: SIM
G: USB/OTG
H: USB
I: DC 8~36V



Introduction

FMT-612A is a industrial grade vehicle terminal designed for fleet management application, Equipped with 8-inch capacitive touch screen, Rockchip high-performance 4-core processor, Android 11 operating system, optional Wi-Fi,4G, CAN,GPS, Bluetooth and other wireless communication modules, it can achieve real-time scheduling and allround monitoring and management of vehicles.

Features

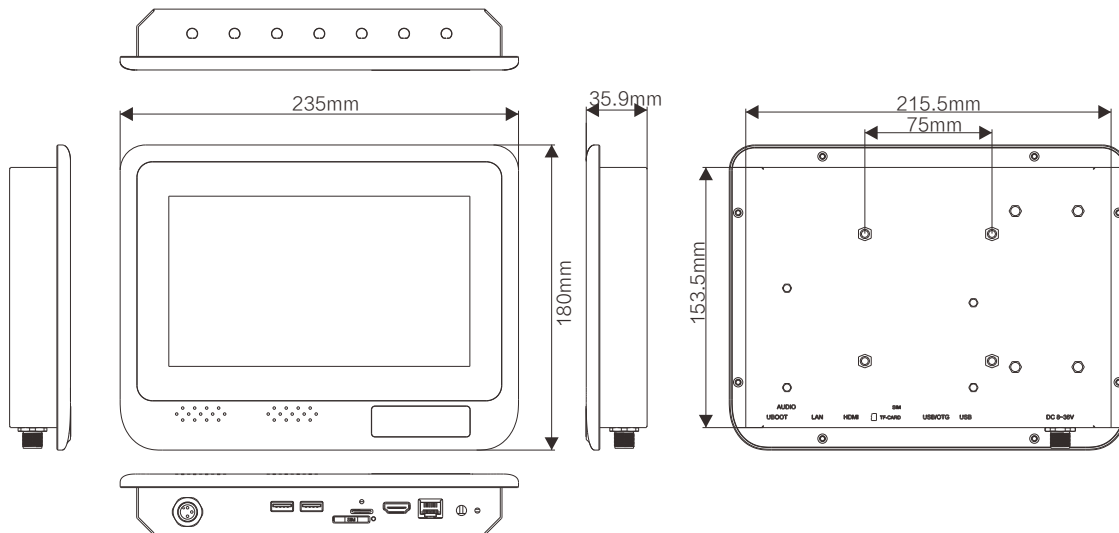
- 8-inch(1280x720) LCD with capacitive touchscreen
- Rockchip high-performance 4-core processor, up to 2.0GHz
- Rugged metal enclosure and fanless design
- Wide range 8-36V DC power input
- Build-in WiFi, Bluetooth, LTE, GPS

Applications

- Manufacturing Logistics
- Warehouse Management
- Vehicle management of driving school



Dimensions



Specifications

System		I/O Connectors	
Features	Rockchip RK3568, 4-core Cortex-A55, up to 2.0GHz	COM	1 x RS-232
System Memory	2GB LPDDR4	USB	1 x RS-485 (Optional)
Storage	16GB EMMC		1 x USB
Expansion Slot	1 x TF Card, up to 128GB	Ethernet	1 x USB / OTG
Operating System	Android 11		1 x LAN (1000M)
Display		HDMI	1 x HDMI
Size	8-Inch	SIM	1 x SIM Slot
Resolution(H x V)	1280 x 720	Audio	
Brightness	750 cd/m ²	Earphone	1 x Line-out
Touchscreen	Capacitive	Speaker	1 x 8Ω/2W
Keypad & Keyboard		Power Management	
Keypad & Keyboard	Power on/off	Power Input	8~36VDC
	Brightness +/-	Power Consumption	12W typ.
RF Communication		Environmental	
WLAN	802.11 a/b/g/n/ac (2.4G/5G)	Operating Temperature	-20~60°C
WWAN	4G LTE, FDD/TDD, TD-SCDMA/WCDMA, CDMA/GSM	IP Protection Level	IP54
GPS	GPS/GLONASS/BeiDou/QZSS/Galileo/SBAS	Standard Mounting	VESA 75
Bluetooth	Bluetooth V4.2	Testing standard	MIL-STD 810G
Expansion Function		Authentication	CE FCC
CAN/OBD-II	1 x CAN (Optional)	Mechanical	
		Housing	Aluminum+SGCC
		Dimension	235 × 180 × 35.9mm
		Weight	1.35Kg