

# FVT-608L

8.4-inch(800x600), Resistive Touch, Intel J1900, Windows 7/10, Forklift Vehicle Mount Computer



A: COM2 / DIO / CAN2.0B      E: LAN  
B: COM1                              F: SIM Card Slot  
C: USB3.0                             G: DC Power Inlet  
D: USB2.0



## Introduction

FVT-608L is a ruggedized vehicle mount computer for warehouse forklift introduced by DARVEEN Technology in 2020 that comes with Intel J1900 processor. It harnesses full Microsoft® Windows® computing power in a mobile environment, optimizes application and network management compatibility while remaining flexible enough to run multiple advanced applications.

FVT-608L incorporates 8.4-inch industrial resistive touch screen, optional 802.11 a/b/g/n/ac, Bluetooth V4.0, LTE, GPS/GNSS/Beidou modules, 8~36V wide-range DC input and optional build-in Li-on battery that adapt itself to forklift management in warehouse. It meets the STD-MIL-810G of anti-shock and anti-vibration, IP65 standard of dust and water proof that enable it operating freely in the most demanding environment.

## Features

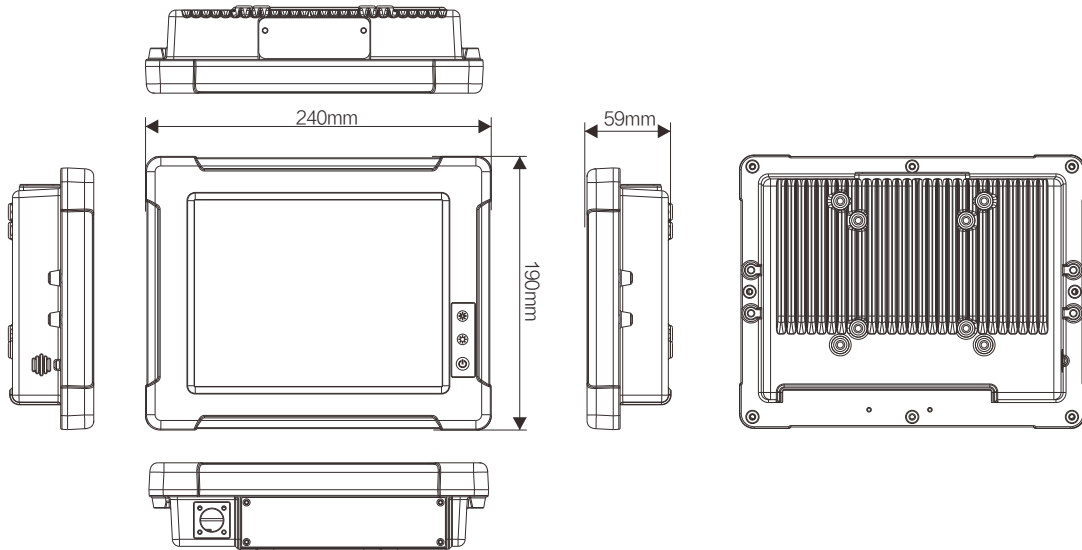
- 8.4-inch high brightness LCD, Resistive touch screen
- Rugged aluminum enclosure and fanless design
- Full IP65 dust/water protection
- Meet MIL-STD 810G standard anti-vibration shock
- Wide range 8-36V DC Power input, Optional build-in Li-on battery
- VESA 75 and 100 standard mounting
- Flexible expansion capability for WiFi, Bluetooth, LTE, GPS

## Applications

- Manufacturing Logistics
- Warehouse Management
- Vehicle management of driving school



## Dimensions



## Specifications

<b>System</b>		<b>RF Communication</b>	
Processor	Intel® Quad-Core Celeron J1900 (2.0GHz)	WLAN	Intel Dual-band, 2.4G&5G, 802.11a/b/g/n/ac, Speed up to 867Mbps
System Memory	4GB DDR3L DRAM	WWAN	4G LTE (Optional)
Storage	64GB mSATA SSD(up to 512G)	Bluetooth	Bluetooth 4.0
Operating System	Windows 10 IoT Enterprise LTSC Windows 7 Professional Windows Embedded Standard 7	GPS	u-blox M8 Engine, 72-channel, NMEA-0183 standard, support GPS/GLONASS/BeiDou/QZSS/Galileo/SBAS (Optional)
<b>Display</b>		<b>Audio</b>	
8.4-inch, XGA 1024x768, 600nits, w/LED Backlight		Speaker	1 x Speaker (8Ω, 2W)
<b>Touch Screen</b>		<b>Power Management</b>	
5-Wire Resistive Touch screen		Power Input	8-36V DC
<b>Keypad &amp; Keyboard</b>		Power Consumption	12W typ.
Power On/Off Brightness Adjustment		Build-in Battery	Li-on, 3350mAh/7.2V (Optional)
<b>I/O Connectors</b>		<b>Environmental</b>	
Series Port	1 x RS-232/422/485 (COM1, full-function, Pin9 can be set to RI, 5V or 12V by jumper) 1 x RS-232 (COM2, full-function, Pin9 can be set to RI or 5V by jumper)	Operating Temperature	-20~60°C
USB Port	1 x USB2.0 1 x USB3.0	Relative Humidity	5%-95%, non-condensing
LAN Port	1 x GbE LAN (RJ-45)	IP Proof	IP65
Others	1 x Micor-SIM Card Slot (push and push) 1 x Power Connector (M12) 2/3 x TNC Connectors for External Antenna (WiFi, Bluetooth, WWAN, GPS) 1 x Battery Switch	Shock and Vibration	Shock: MIL-STD-810G Method 516.6 Procedure I Vibration: MIL-STD-810G Method 514.6 Procedure I
		Certifications	CE, FCC
		<b>Mechanical</b>	
		Housing	Aluminum
		Dimension (W x L x H)	240 x 190 x 59 mm
		Weight	1.8 Kg