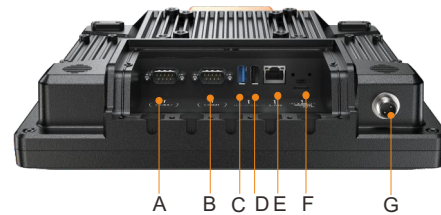


FVT-708L

10.4-inch(1024x768), Resistive / Capacitive Touch, Intel J1900,
Windows 7/10, Forklift Vehicle Mount Computer



A: COM2 / DIO / CAN2.0B E: LAN
B: COM1 F: SIM Card Slot
C: USB3.0 G: DC Power Inlet
D: USB2.0



Introduction

FVT-708L is a ruggedized vehicle mount computer for warehouse forklift introduced by DARVEEN Technology in 2020 that comes with Intel J1900 processor. It harnesses full Microsoft® Windows® computing power in a mobile environment, optimizes application and network management compatibility while remaining flexible enough to run multiple advanced applications.

FVT-708L incorporates 10.4-inch industrial resistive or capacitive touch screen optional 802.11 a/b/g/n/ac, Bluetooth V4.0, LTE, GPS/GNSS/Beidou modules, 8~36V wide-range DC input and optional build-in Li-on battery which adapt itself to forklift management in warehouse. It meets the STD-MIL-810G of anti-shock and anti-vibration, IP65 standard of dust and water proof that enable it operating freely in the most demanding environment.

Features

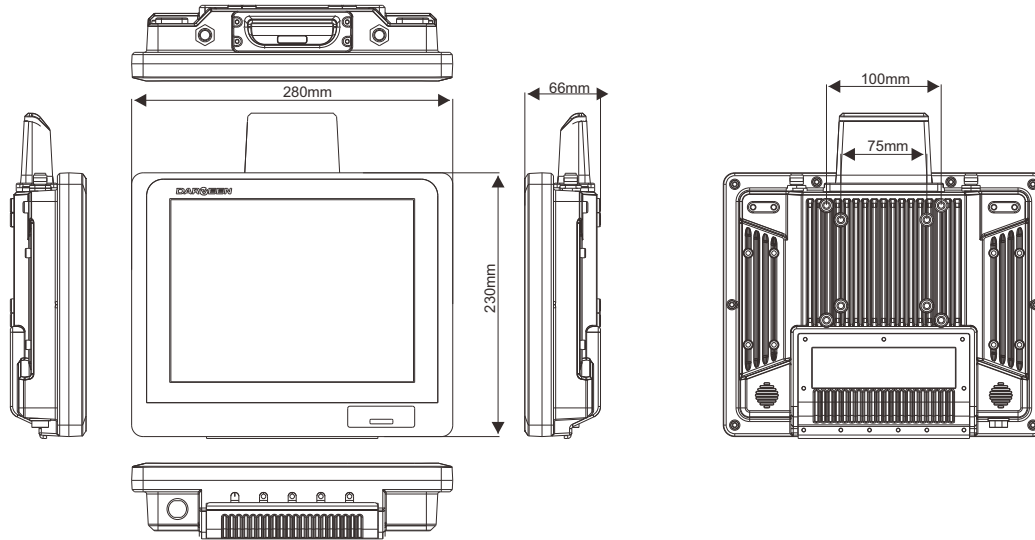
- 10.4-inch high brightness LCD, Resistive or capacitive touch screen
- Rugged aluminum enclosure and fanless design
- Full IP65 dust/water protection
- Meet MIL-STD 810G standard anti-vibration shock
- Wide range 8-36V DC Power input, Optional build-in Li-on battery
- VESA 75 and 100 standard mounting
- Flexible expansion capability for WiFi, Bluetooth, LTE, GPS

Applications

- Manufacturing Logistics
- Warehouse Management
- Vehicle management of driving school



Dimensions



Specifications

System

Processor	Intel® Quad-Core Celeron J1900 (2.0GHz)
System Memory	4GB DDR3L DRAM
Storage	64GB mSATA SSD(up to 512GB)
Operating System	Windows 10 IoT Enterprise LTSC Windows 7 Professional Windows Embedded Standard 7

Display

10.4-inch, XGA ,1024x768,600nits, w/LED Backlight

Touch Screen

5-Wire Resistive Touch screen
Multi-touch Capacitive Touch screen (Optional)

Keypad & Keyboard

Power On/Off
Brightness Adjustment
Power LED Indicator

I/O Connectors

Series Port	1 x RS-232/422/485 (COM1, full-function, Pin9 can be set to RI, 5V or 12V by jumper) 1 x RS-232 (COM2, full-function, Pin9 can be set to RI or 5V by jumper)
USB Port	1 x USB2.0 1 x USB3.0
LAN Port	1 x GbE LAN (RJ-45)
Others	1 x Micor-SIM Card Slot (push and push) 1 x Power Connector (M12) 2/3 x TNC Connectors for External Antenna (WiFi, Bluetooth, WWAN, GPS) 1 x Battery Switch

RF Communication

WLAN	Intel Dual-band, 2.4G&5G, 802.11a/b/g/n/ac, Speed up to 867Mbps
WWAN	4G LTE (Optional)
Bluetooth	Bluetooth 4.0
GPS	U-blox M8 Engine, 72-channel, NMEA-0183 standard, Support GPS/GLONASS/BeiDou/QZSS/Galileo/SBAS(Optional)

Audio

Speaker	2 x Speaker (8 Ω , 2W)
---------	------------------------

Power Management

Power Input	8~36V DC
Power Consumption	16W typ.
Build-in Battery	Li-on, 3350mAh/7.2V (Optional)

Environmental

Operating Temperature	-20~60°C
Relative Humidity	5%-95%, non-condensing
IP Proof	IP65
Shock and Vibration	Shock: MIL-STD-810G Method 516.6 Procedure I Vibration: MIL-STD-810G Method 514.6 Procedure I
Certifications	CE, FCC

Mechanical

Housing	Aluminum
Dimension (W x L x H)	280 x 230 x 66 mm
Weight	2.8 Kg