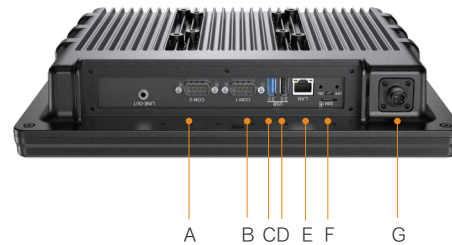


FVT-808L

12.1-inch(1024x768), Resistive Touch, Intel J1900, Windows 7/10, Forklift Vehicle Mount Computer



A: COM2
B: COM1
C: USB3.0
D: USB2.0
E: LAN
F: SIM Card Slot
G: DC Power Inlet



Introduction

FVT-808L is a ruggedized vehicle mount computer for warehouse forklift introduced by DARVEEN Technology in 2020 that comes with Intel J1900 processor. It harnesses full Microsoft® Windows® computing power in a mobile environment, optimizes application and network management compatibility while remaining flexible enough to run multiple advanced applications.

FVT-808L incorporates 12.1-inch industrial resistive or capacitive touch screen optional 802.11 a/b/g/n/ac, Bluetooth V4.0, LTE, GPS/GNSS/Beidou modules, 8~36V wide-range DC input and optional build-in Li-on battery which adapt itself to forklift management in warehouse. It meets the STD-MIL-810G of anti-shock and anti-vibration, IP65 standard of dust and water proof enable it operating freely in the most demanding environment.

Features

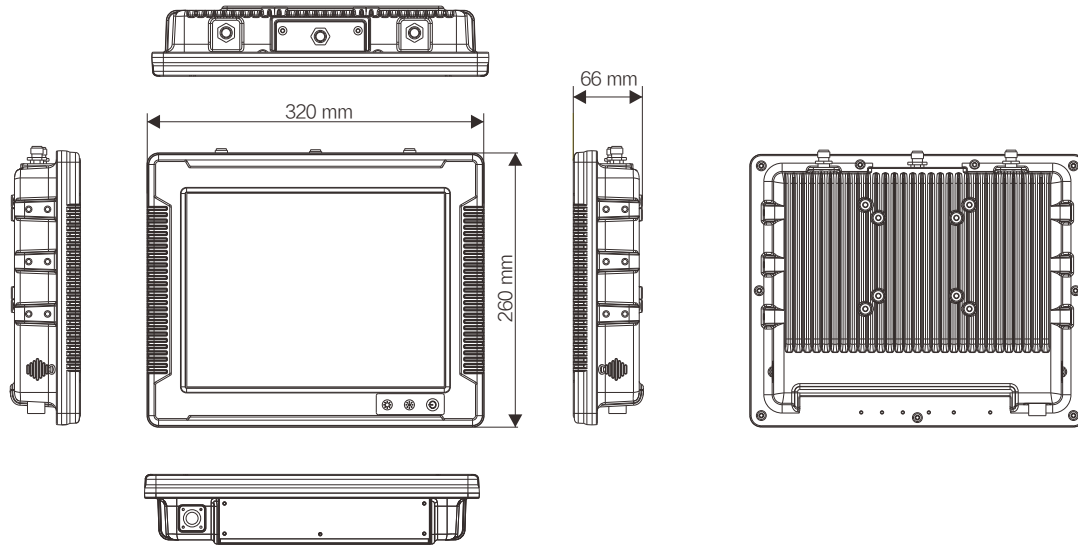
- 12.1-inch high brightness LCD, Resistive touch screen
- Rugged aluminum enclosure and fanless design
- Full IP65 dust/water protection
- Meet MIL-STD 810G standard anti-vibration shock
- Wide range 8-36V DC Power input, Optional build-in Li-on battery
- VESA 75 and 100 standard mounting
- Flexible expansion capability for WiFi, Bluetooth, LTE, GPS

Applications

- Manufacturing Logistics
- Warehouse Management
- Vehicle management of driving school



Dimensions



Specifications

System		RF Communication	
Processor	Intel Quad-Core Celeron J1900 (2.0GHz)	WLAN	Intel Dual-band, 2.4G&5G, 802.11a/b/g/n/ac, Speed up to 867Mbps
System Memory	4GB DDR3L DRAM	WWAN	4G LTE (Optional)
Storage	64GB mSATA SSD(up to 512GB)	Bluetooth	Bluetooth 4.0
Operating System	Windows 10 IoT Enterprise LTSC Windows 7 Professional Windows Embedded Standard 7	GPS	u-blox M8 Engine, 72-channel, NMEA-0183 standard, support GPS/GLONASS/BeiDou/QZSS/Galileo/SBAS(Optional)
Display		Audio	
12.1-inch, XGA 1024x768, 500nits, w/LED Backlight		Speaker	2 x Speaker (8Ω, 2W)
Touch Screen		Power Management	
5-Wire Resistive Touch screen		Power Input	8~36V DC
Keypad & Keyboard		Power Consumption	16W typ.
Power On/Off		Build-in Battery	Li-on, 3350mAh/7.2V (Optional)
Brightness Adjustment		Environmental	
I/O Connectors		Operating Temperature	-20~60°C
Series Port	1 x RS-232/422/485 (COM1, full-function, Pin9 can be set to RI, 5V or 12V by jumper) 1 x RS-232 (COM2, full-function, Pin9 can be set to RI or 5V by jumper)	Relative Humidity	5%-95%, non-condensing
USB Port	1 x USB2.0 1 x USB3.0	IP Proof	IP65
LAN Port	1 x GbE LAN (RJ-45)	Shock and Vibration	Shock: MIL-STD-810G Method 516.6 Procedure I Vibration: MIL-STD-810G Method 514.6 Procedure I
Others	1 x Micor-SIM Card Slot (push and push) 1 x Power Connector (M12) 2/3/4 x TNC Connectors for External Antenna (WiFi, Bluetooth, WWAN, GPS) 1 x Battery Switch	Certifications	CE, FCC
		Mechanical	
		Housing	Aluminum
		Dimension (W x L x H)	320 x 260 x 66 mm
		Weight	3.6 Kg