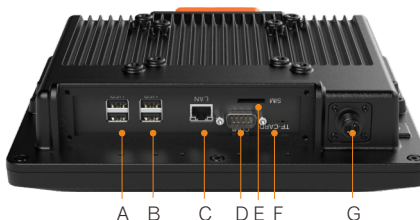


VT-530A

7-inch, Six-core Platform, Android 7.1.2 / 9.0, Vehicle Mount Computer



A: USB2.0
B: USB2.0/USB3.0
C: LAN
D: COM1
E: SIM Card Slot
F: TF-card
G: DC Power Inlet



Introduction

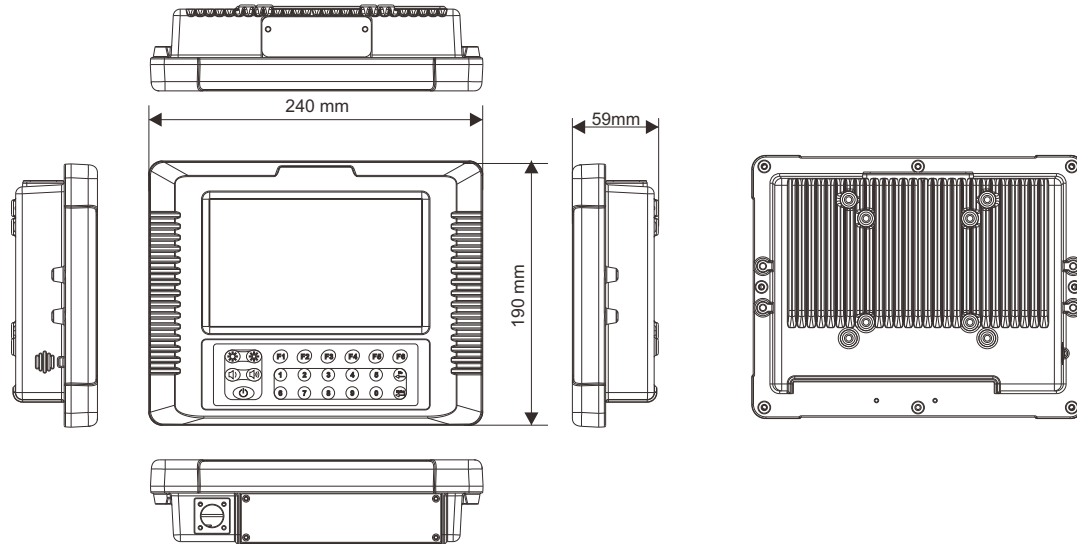
VT-530A is a 7-inch smart vehicle terminal designed for application in container terminal. It could be mounted in container trucks, RTG, OTG and other special vehicles. All VT products are fanless design with wide working temperature and wide voltage input. VT-530A is equipped with high-performance 6-core processor, integrated with 7-inch high-definition touch screen and optional Wi-Fi, LTE, GPS, Bluetooth and other wireless communication modules to provide real-time communication.

Features

- 7-inch(800x480) LCD with capacitive touch screen
- High-performance 6-core processor, up to 1.8GHz
- Front panel intergrated numeric and function keys
- Rugged aluminum enclosure and fanless design
- Full IP65 dust/water protection
- Wide range 8-36V DC Power input
- VESA 75 and 100 standard mounting
- Flexible expansion capability for WiFi, Bluetooth, LTE, GPS



Dimensions



Specifications

System

Processor	ARM Dual-core A72 + Quad-core A53, up to 1.8GHz
RAM	2GB LPDDR3
Flash Memory	16GB EMMC
Expansion Slot	1 x TF Card, up to 128GB
Operation System	Android 7.1.2 / 9.0

Display

Size	7-Inch
LCD panel	Industry Grade
Resolution(H x V)	800 x 480
Brightness	450cd/m ²
Backlight	LED Backlight
Touchscreen	Capacitive

Wireless

WLAN	802.11 a/b/g/n/ac (2.4G/5G)
WWAN	TDD/FDD LTE
GPS	GPS/GLONASS/BeiDou/QZSS/Galileo/SBAS (Optional)
Bluetooth	Bluetooth V4.2

I/O Ports

COM Port	1 x RS232
USB	1 x USB3.0 3 x USB2.0
Ethernet	1 x 1000M RJ45
SIM	1 x SIM card slot

Audio

Speaker	1 x 8Ω/2W
---------	-----------

Power Management

Power Input	8~36VDC
ACC	/
Power Consumption	8W typ.

Environmental

Operating Temperature	-20°C~60°C
Storage Temperature	-30°C~70°C
IP Protection Level	IP65
Standard Mounting	VESA 75/100
Testing standard	MIL-STD 810G
Authentication	CE FCC

Mechanical

Dimension	240 x 190 x 59 mm
Weight	1.8 Kg

Button

Power on/off, Brightness +/-, Volume +/-
0-9 Numeric, F1-F6 Function, Enter, Backspace