

# VT-658

8.4", Resistive Touch, J1900, Windows 7/10, WiFi / Bluetooth / 4G / 5G / GPS,  
Vehicle Mount Computer



A: COM2 / DIO / CAN2.0B      E: LAN  
B: COM1                              F: SIM Card Slot  
C: USB3.0  
D: USB2.0                              G: DC Power Inlet



## Introduction

VT-658 is the latest generation of ruggedized vehicle mounted computer that comes with Intel Baytrail platform processor and Windows Embedded Standard or Professional operating system. It harnesses full Microsoft® Windows® computing power in a mobile environment, optimizes application and network management compatibility while remaining flexible enough to run multiple advanced applications.

VT-658 incorporates 8.4-inch industrial resistive touch screen, 8~36V wide-range DC input with power ignition function, optional 802.11 a/b/g/n/ac, Bluetooth V4.0, full Netcom LTE/3.5G, GPS/GNSS/Beidou, CAN2.0B modules that adapt itself to application in warehousing forklift, logistics, container trucks and so on. It meets the STD-MIL-810G of anti-shock and anti-vibration, IP65 standard of dust and water proof which enable it operating freely in the most demanding environment

## Features

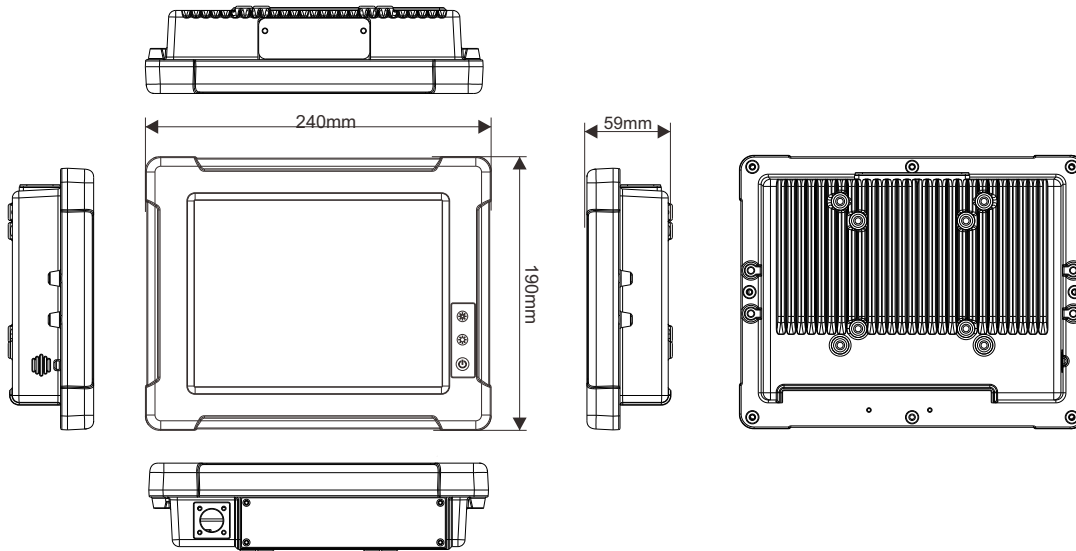
- 8.4" LED backlight panel with resistive touch screen
- Rugged aluminum enclosure and fanless design
- IP65 dust/water protection
- Meet MIL-STD 810G standard anti-vibration shock
- Wide range 8-36V DC Power input with ignition control
- VESA 75 and 100 standard mounting
- Flexible expansion capability for WiFi, Bluetooth, LTE/HSPA+/EVDO, GPS, CAN2.0B

## Applications

- Port and Container Yards
- Manufacturing Logistics
- Warehouse Management
- Heavy Duty Vehicle
- Fleet Management



## Dimensions



## Specifications

System		RF Communication	
Processor	Intel® Quad-Core Celeron J1900 (2.0GHz)	WLAN	802.11a/b/g/n (Optional, CCX v4 Certificated) 802.11a/b/g/n/ac (Optional)
System Memory	4GB SO-DIMM DDR3L-1333 (up to 8GB)	WWAN	4G LTE (Optional)
Storage	32GB mSATA SSD (up to 512GB)	Bluetooth	Bluetooth 4.0 (Optional)
Operating System	Windows 10 IoT Enterprise LTSC Windows 7 Professional Windows Embedded Standard 7	GPS	Ublox M8, support GPS/GLONASS/Galileo/Beidou (Optional)
Display		Audio	
Size	8.4-inch	Speaker	1 x Speaker (8Ω, 2W)
Resolution	800 x 600	Power Management	
Brightness	450 nits	Power Input	8~36V DC
Backlight	LED Backlight	Power Consumption	12W typ.
Touch Screen		Ignition On/Off	Power on delay, default 10 seconds; Power off delay, default 10 seconds; (On/Off delay time can be changed via BIOS setting)
Type	5-Wire Resistive Touch	UPS Battery	3350mAh/7.2V (Optional)
Keypad & Keyboard		Environmental	
Keypad	Power On/Off Brightness Adjustment	Operating Temperature	-20~60°C
I/O Connectors		Relative Humidity	5%-95%, non-condensing
Series Port	1 x RS-232/422/485 (COM1, full-function, Pin 9 function can be set to RI, 5V or 12V by jumper) 1 x RS-232 (COM2, full-function, Pin9 function can be set to RI or 5V by jumper)	IP Proof	IP65 (I/O interface must be closed)
USB Port	1 x USB2.0 1 x USB3.0	Shock and Vibration	Shock: MIL-STD-810G Method 516.6 Procedure I Vibration: MIL-STD-810G Method 514.6 Procedure I
LAN Port	1 x GbE LAN (RJ-45)	Certifications	CE, FCC
DI/DO	4DI/2DO (Optional, with 3.3V power, substitute COM2)	Mechanical	
CAN Bus	2 x CAN2.0B (Optional, compatible CAN2.0A, support J1939 protocol and in accordance with ISO 11898-1/2/3, substitute COM2)	Housing	Aluminum
Others	1 x SIM Card Slot (push and push) 1 x Power Connector 2/3/4 x TNC Connectors for External Antenna (WiFi, Bluetooth, WWAN, GPS) 1 x Battery Switch	Dimension (WxLxH)	240 x 190 x 59 mm
		Weight	1.8Kg