

VT-758K

10.4" Resistive Touch, J1900, Windows 7/10, WiFi / Bluetooth / 4G / 5G / GPS, Vehicle Mount Computer



Introduction

VT-758K is the latest generation of ruggedized vehicle mounted computer that comes with Intel Baytrail platform processor and Windows Embedded Standard or Professional operating system. It harnesses full Microsoft® Windows® computing power in a mobile environment, optimizes application and network management compatibility while remaining flexible enough to run multiple advanced applications.

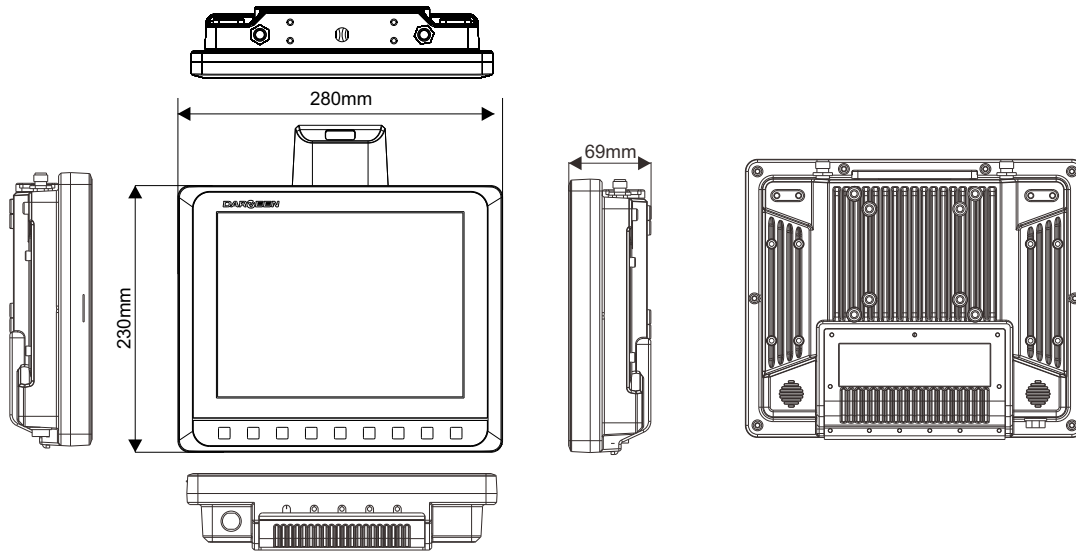
VT-758K incorporates 10.4-inch industrial resistive or capacitive touch screen, 8~36V wide-range DC input with power ignition function, optional 802.11 a/b/g/n/ac, Bluetooth V4.0, LTE, GPS/GNSS/Beidou, CAN2.0B modules that adapt itself to application in warehousing forklift, logistics, container trucks and so on. It meets the STD-MIL-810G of anti-shock and anti-vibration, IP65 standard of dust and water proof that enable it operating freely in the most demanding environment.

Features

- 10.4" LED backlight panel with resistive / capacitive touch screen
- Rugged aluminum enclosure and fanless design
- Full IP65 dust/water protection
- Front panel integrated F1-F6 user-defined function keys
- Meet MIL-STD 810G standard anti-vibration shock
- Wide range 8-36V DC Power input with ignition control
- VESA 75 and 100 standard mounting
- Flexible expansion capability for WiFi, Bluetooth, LTE, GPS, CAN2.0B



Dimensions



Specifications

System

Processor	Intel® Quad-Core Celeron J1900 (2.0GHz)
System Memory	4GB SO-DIMM DDR3L-1333 (up to 8GB)
Storage	32GB mSATA SSD (up to 512GB)
Operating System	Windows 10 IoT Enterprise LTSC Windows 7 Professional Windows Embedded Standard 7

Display

Size	10.4-inch
Resolution	1024 x 768
Brightness	400 nits
Backlight	LED Backlight

Touch Screen

Type	VT-758K: 5-Wire Resistive Touch screen VT-758KC: Multi-touch Capacitive Touch screen
------	---

Keypad & Keyboard

Keypad	Power On/Off Brightness Adjustment Power LED Indicator F1-F6 User-defined Function Keys
--------	--

I/O Connectors

Series Port	1 x RS-232/422/485 (COM1, full-function, Pin9 can be set to RI, 5V or 12V by jumper) 1 x RS-232 (COM2, full-function, Pin9 can be set to RI or 5V by jumper)
USB Port	1 x USB2.0 1 x USB3.0
LAN Port	1 x GbE LAN (RJ45)
DI/DO	4DI/2DO (Optional, with 3.3V power, substitute COM2)
CAN Bus	2 x CAN2.0B (Optional, compatible CAN2.0A, support J1939 protocol and in accordance with ISO 11898-1/2/3, substitute COM2)
Others	1 x SIM Card Slot (push and push) 1 x Power Connector 2/3/4 x TNC Connectors for External Antenna (WiFi, Bluetooth, WWAN, GPS) 1 x Battery Switch

RF Communication

WLAN	802.11a/b/g/n/ac (Optional)
WWAN	4G LTE (Optional)
Bluetooth	Bluetooth 4.0 (Optional)
GPS	Ublox M8, support GPS/GLONASS/Galileo/Beidou (Optional)

Audio

Speaker	2 x Speaker (4 Ω, 2W) 1 x Audio-out (3.5mm Jack)
---------	---

Power Management

Power Input	8~36V DC
Power Consumption	15W typ.
Ignition On/Off	Power on delay, default 10 seconds; Power off delay, default 10 seconds; (On/Off delay time can be changed via BIOS setting)
UPS Battery	3350mAh/7.2V (Optional)

Environmental

Operating Temperature	-20~60°C
Relative Humidity	5%-95%, non-condensing
IP Proof	IP65
Shock and Vibration	Shock: MIL-STD-810G Method 516.6 Procedure I Vibration: MIL-STD-810G Method 514.6 Procedure I
Certifications	CE, FCC

Mechanical

Housing	Aluminum
Dimension(WxLxH)	278 x 229 x 68 mm
Weight	3.0 Kg