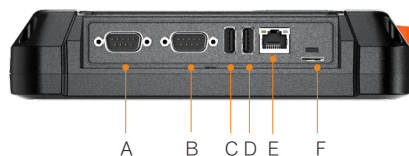


VT-768K

10.1", Resistive Touch, J1900, Windows 7/10, WiFi6 / Bluetooth / 5G / GPS,
Integrated Function Keypad, Vehicle Mount Computer



A: COM2
B: COM1
C: USB
D: USB
E: LAN
F: Micro-SIM



Introduction

VT-768K is a rugged vehicle mounted computer that comes with 10.1-inch touch screen, function keypad and Intel J1900 platform for applications in warehousing, fleet management and container terminal. It could be mounted in industrial vehicles, such as forklifts, trucks, trailers, cranes and other heavy-duty vehicles. Optional WiFi6, 5G/LTE, Bluetooth and GPS modules can be integrated into VT-768K for real-time data exchange, navigation and communications. The front panel integrates function keypad and touchscreen that are user-friendly for quick and easy operations.

Features

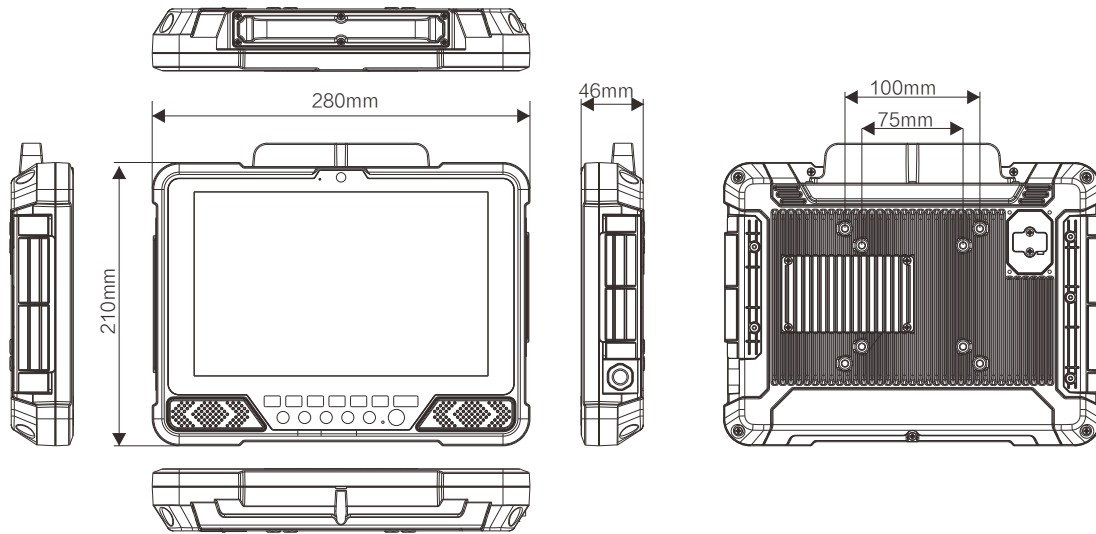
- Full plane design, 10.1-inch LCD panel with resistive touch screen
- Rugged aluminum enclosure and fanless design
- Integrated function keys and brightness/volume adjust keys
- Full IP67 dust/water protection
- Wide range 8-36V DC input with ignition control, optional build-in UPS
- Support advanced wireless modules, such as WiFi 6, Bluetooth 5, 5G
- Rich I/O, expandable DIO, CAN, Multi-LAN, Multi-COM

Applications

- Port and Container Yards
- Manufacturing Logistics
- Warehouse Management
- Heavy Duty Vehicle
- Fleet Management



Dimensions



Specifications

System

Processor	Intel® Quad-Core Celeron J1900 (2.0GHz)
System Memory	4GB SO-DIMM DDR3L-1333 (up to 8GB)
Storage	64GB mSATA SSD (up to 512GB)
Operating System	Windows 10 IoT Enterprise LTSC Windows 7 Professional Windows Embedded Standard 7

Display

Size	10.1-inch
Resolution	1280 x 800
Brightness	400 nits
Backlight	LED

Touch Screen

Type	5-Wire Resistive Touch
------	------------------------

Keypad & Keyboard

Keypad	Power On/Off Brightness Adjustment Volume Adjustment Power LED Indicator Charge LED Indicator F1-F6 Programmable function keys
--------	---

RF Communication

WLAN	WiFi5: 802.11a/b/g/n/ac (Optional) WiFi6: 802.11a/b/g/n/ac/ax (Optional) Roaming WiFi: 802.11a/b/g/n (Summit, Optional)
WWAN	5G / 4G LTE (Optional)
Bluetooth	Bluetooth 4.0/5.0 (Optional)
GPS	Ublox M8, support GPS/GLONASS/Galileo/Beidou (Optional)

Audio

Speaker	2 x Speaker (4Ω, 2w)
---------	----------------------

I/O Connectors

Series Port	1 x RS-232/422/485 (COM1, full-function, Pin9 can be set to RI, 5V or 12V by jumper) 1 x RS-232 (COM2, full-function, Pin9 can be set to RI or 5V by jumper)
USB Port	1 x USB2.0 1 x USB3.0
LAN Port	1 x GbE LAN (RJ45)
Expansion	2 x CAN2.0B (Optional) 4DI / 2DO (Optional) 2 x USB2.0 (Optional) 1 x VGA (Optional) 1 x Audio-out (3.5mm Jack, Optional)
Others	1 x SIM Card Slot (push and push) 1 x Power Connector 6 x TNC Connectors for External Antenna (WiFi, Bluetooth, WWAN, GPS) 1 x Battery Switch

Power Management

Power Input	8~36V DC
Power Consumption	15W typ.
Ignition On/Off	Power on delay, default 10 seconds; Power off delay, default 10 seconds; (On/Off delay time can be changed via BIOS setting)
UPS Battery	3350mAh/7.2V (Optional)

Environmental

Operating Temperature	-20~60°C
Relative Humidity	5%-95%, non-condensing
IP Proof	IP67
Shock and Vibration	Shock: MIL-STD-810G Method 516.6 Procedure I Vibration: MIL-STD-810G Method 514.6 Procedure I
Certifications	CE, FCC

Mechanical

Housing	Aluminum
Dimension (W x L x H)	280 x 210 x 46 mm
Weight	2.2 Kg