

DPC-3122S

12.1", 5 Wire Resistive Touch, Intel BayTrail J1900, Ture-Flat Panel PC



Features

- 12.1" LED backlight LCD and Resistive touch panel
- Fanless design, Front Panel IP65
- Embedded Intel Celeron J1900(2.0GHz) processor
- 2 COM, 4 USB, 2 GbE, HD Audio, VGA, HDMI
- Panel and VESA mounting

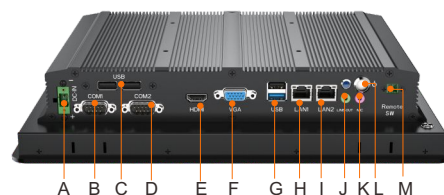
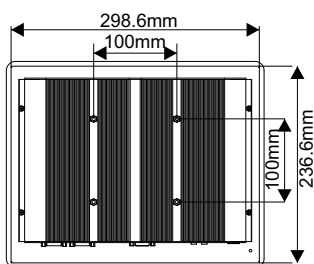
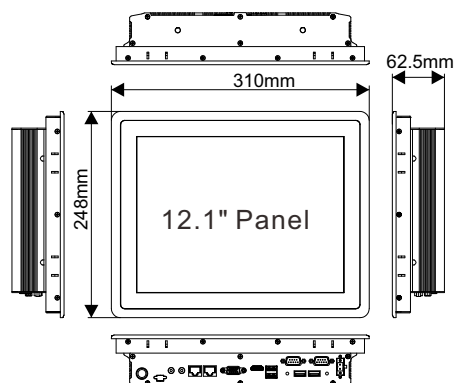


Specifications

System	
CPU	Intel® Quad-Core Celeron J1900 (2.0GHz)
Memory	4GB SO-DIMM DDR3L-1333/1600 (Up to 8GB)
Storage	1 x 2.5" Drive Bay for SATA HDD/SSD 1 x Full-size Mini-PCle for mSATA SSD"
Operating System	Windows 7/8.1/10
Display	
Display Type	12.1" TFT LED
Viewing Angle (H/V°)	80/80/80/80
Size	12.1-inch
Resolution	1024 x 768
Brightness	450 nits
Contrast Ratio	700:1
Backlight	LED
LED Lifetime	50000 hrs
VGA	Up to 2560 x 1600
HDMI	Up to 1920 x 1080
Multi-Display	Dual display (LVDS + VGA/HDMI)
Touch Screen	
Type	5-Wire Analog Resistive Touch
Transparency	80%
Hitting Life	35 million times
Surface Hardness	≥3H
I/O Connectors	
Series Port	2 x RS-232 (COM1/2)
USB Port	1 x USB3.0 3 x USB2.0
LAN Port	2 x GbE LAN
Display Port	1 x HDMI, 1 x VGA
Audio	1 x Line-out, 1 x Mic

Others	
	1 x DC-IN (2-Pin Phoenix) 1 x Remote Switch Connector 1 x ATX Power Switch
Expansion	
Mini-PCle	1 x Full-size Mini-PCle for mSATA 1 x Full-size Mini-PCle
Power Management	
Power Input	DC 12V
Power Adapter	AC-DC, 12V@5A, 60W
Power Consumption	25W (Typ)
Environmental	
Operating Temperature	-10~50°C
Storage Temperature	-20~60°C
Relative Humidity	10%-90%, @ 40°C (non-condensing)
Vibration Protection	5~500Hz, 0.026 G ² /Hz, 2.16 Grms, X, Y, Z, 1 hour per axis
Certifications	CE, FCC
Mechanical	
Housing	Aluminum alloy panel, all-metal structure
Mounting	Panel-mount, VESA-mount
Dimension (W x L x H)	310 x 248 x 62.5mm
Weight	3.8Kg
Packing List	
	1 x DPC-3122S 1 x AC-DC Power Adapter 1 x Certificate 1 x Warranty Card 8 x Panel Mounting Buckles

Ordering Information



- | | |
|-------------|-----------------|
| A: DC-INPUT | G: USB |
| B: COM1 | H: LAN1 |
| C: USB | I: LAN2 |
| D: COM2 | J: Mic |
| E: HDMI | K: Line-out |
| F: VGA | L: Power Switch |
| | M: Remot Switch |