

DPC-3152S

15", 5 Wire Resistive Touch, Intel BayTrail J1900, True-Flat Panel PC



Features

- 15" LED backlight LCD and Resistive Touch Panel
- Fanless design, Front Panel IP65
- Embedded Intel Celeron J1900(2.0GHz) processor
- 2 COM, 4 USB, 2 GbE, HD Audio, VGA, HDMI
- Panel and VESA mounting



Specifications

System	
CPU	Intel® Quad-Core Celeron J1900 (2.0GHz)
Memory	4GB SO-DIMM DDR3L-1333/1600 (Up to 8GB)
Storage	1 x 2.5" Drive Bay for SATA HDD/SSD 1 x Full-size Mini-PCle for mSATA SSD
Operating System	Windows 7/8.1/10

Display	
Display Type	15" TFT LED
Viewing Angle (H/V°)	89/89/89/89
Size	15-inch
Resolution	1024 x 768
Brightness	350 nits
Contrast Ratio	700:1
Backlight	LED
LED Lifetime	50000 hrs
VGA	Up to 2560 x 1600
HDMI	Up to 1920 x 1080
Multi-Display	Dual display (LVDS + VGA/HDMI)

Touch Screen	
Type	5-Wire Analog Resistive Touch
Transparency	80%
Hitting Life	35 million times
Surface Hardness	≥3H

I/O Connectors	
Series Port	2 x RS-232 (COM1/2)
USB Port	1 x USB3.0 3 x USB2.0
LAN Port	2 x GbE LAN
Display Port	1 x HDMI, 1 x VGA
Audio	1 x Line-out, 1 x Mic

Others	
	1 x DC-IN (2-Pin Phoenix)
	1 x Remote Switch Connector
	1 x ATX Power Switch

Expansion	
Mini-PCle	1 x Full-size Mini-PCle for mSATA 1 x Full-size Mini-PCle

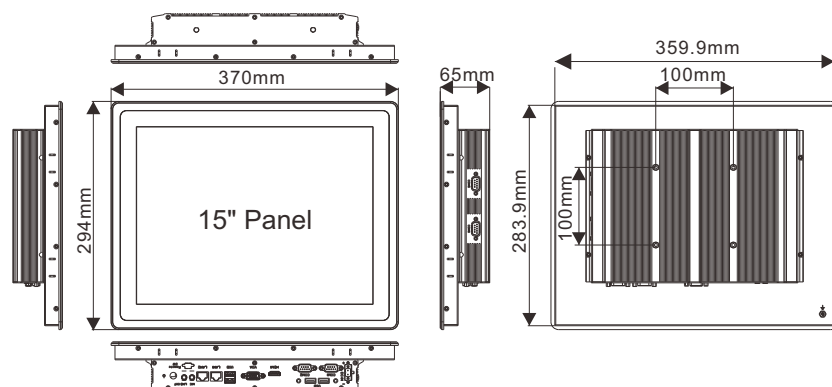
Power Management	
Power Input	DC 12V
Power Adapter	AC-DC, 12V@5A, 60W
Power Consumption	23W (Typ)

Environmental	
Operating Temperature	-10~50°C
Storage Temperature	-20~60°C
Relative Humidity	10%-90%, @ 40°C (non-condensing)
Vibration Protection	5~500Hz, 0.026 G ² /Hz, 2.16 Grms, X, Y, Z, 1 hour per axis
Certifications	CE, FCC

Mechanical	
Housing	Aluminum alloy panel, all-metal structure
Mounting	Panel-mount, VESA-mount
Dimension (W x L x H)	370x294 x65mm
Weight	4.2Kg

Packing List	
	1 x DPC-3152S
	1 x AC-DC Power Adapter
	1 x Certificate
	1 x Warranty Card
	8 x Panel Mounting Buckles

Ordering Information



- | | |
|-------------|------------------|
| A: DC-INPUT | H: LAN1 |
| B: COM1 | I: LAN2 |
| C: USB | J: LINE-OUT |
| D: COM2 | K: MIC |
| E: HDMI | L: Power Switch |
| F: VGA | M: Remote Switch |
| G: USB | |