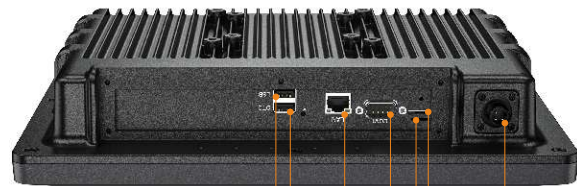


VT-840A

12.1-inch, Six-core Platform, Android 11, Build-in 4G/5G, Vehicle Mount Computer



AB C D EF G

A: USB
B: OTG
C: LAN
D: COM1
E: SIM
F: TF-CARD
G: DC Power Inlet



Introduction

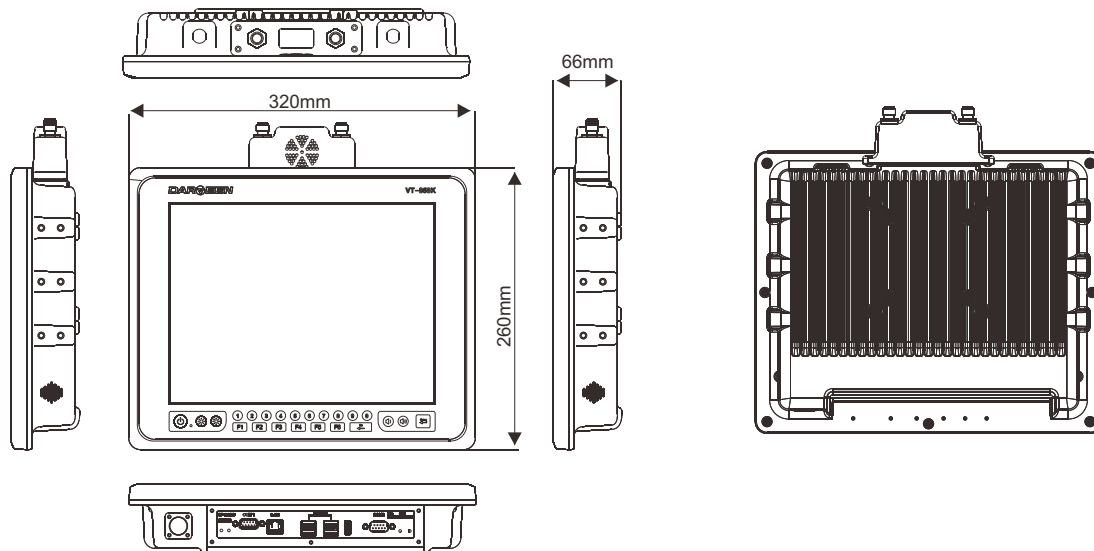
VT-840A is a 12.1-inch smart vehicle terminal designed for trucks, RTG, OTG and other applications. All VT products are fanless and wide temperature and wide pressure design. VT-840A is equipped with high-performance 6-core processor, integrated 12.1-inch high-definition touch screen and optional Wi-Fi, 4G/5G, GPS, Bluetooth and other wireless communication to provide real-time communication connection. Support serial port, USB, Ethernet port Extensive interface. Through a special mounting bracket can be easily installed in the vehicle limited space

Features

- 12.1-inch(1024x768) LCD with capacitive touchscreen
- High-performance 6-core processor, up to 1.8GHz
- Front panel intergrated numeric and function keys
- Rugged aluminum enclosure and fanless design
- Full IP65 dust/water protection
- Wide range 8-36V DC Power input
- VESA 75 and 100 standard mounting
- Flexible expansion capability for WiFi, Bluetooth, 4G/5G, GPS



Dimensions



Specifications

System

Processor	ARM Dual-core A72 + Quad-core A53, up to 1.8GHz
RAM	4GB LPDDR4
Flash Memory	32GB EMMC
Expansion Slot	1 x TF Card, up to 128GB
Operation System	Android 11

Display

Size	12.1-Inch
LCD panel	Industry Grade
Resolution(H x V)	1024 x 768
Brightness	500cd/m ²
Backlight	LED Backlight
Touchscreen	Capacitive

Button

Button	Power on/off, Brightness +/-, Volume +/- 0-9 Numeric, F1-F6 Function, Enter, Backspace
--------	---

Wireless

WLAN	802.11 a/b/g/n/ac (2.4G/5G)
WWAN	4G LTE FDD/TDD, TD-SCDMA/WCDMA, CDMA/GSM 5G NR/NSA/SA, LTE FDD/TDD, WCDMA (Optional)
GPS	GPS/GLONASS/BeiDou/QZSS/Galileo/SBAS
Bluetooth	Bluetooth V4.2

I/O Ports

COM Port	1 x RS232
USB	1 x USB
	1 x USB / OTG
Ethernet	1 x 1000M RJ45
SIM	1 x SIM card slot

Audio

Speaker	2 x 8Ω/2W
---------	-----------

Power Management

Power Input	8~36VDC
Power Consumption	12W typ.

Environmental

Operating Temperature	-20°C ~ +60°C
Storage Temperature	-30°C ~ +70°C
IP Protection Level	IP65
Standard Mounting	VESA 75/100
Testing standard	MIL-STD 810G
Authentication	CE FCC

Mechanical

Dimension	320 x 260 x 66 mm
Weight	3.6 Kg