

# DPC-4152WR

15.6", Capacitive Touch, Intel BayTrail J1900, MES Workstation Industrial Panel PC



## Features

- 15.6" LED backlight LCD and P-Cap multi-touch panel
- Fanless design, True Flat Front Panel
- Embedded Intel Celeron J1900(2.0GHz) processor
- Build-in HF RFID
- Panel and VESA mounting



## Specifications

### System

CPU	Intel® Quad-Core Celeron J1900 (2.0GHz)
Memory	4GB SO-DIMM DDR3L-1333/1600 (Up to 8GB)
Storage	1 x 2.5" Drive Bay for SATA HDD/SSD 1 x Full-size Mini-PCIe for mSATA SSD
Operating System	Windows 7/8.1/10

### Display

Display Type	15.6" TFT LED
Viewing Angle (H/V°) Size	80/80/80/80
Size	15.6-inch
Resolution	1366 x 768
Brightness	300 cd/m²
Contrast Ratio	500:1
Backlight	LED
Backlight Life	50000 Hrs
VGA	Up to 2560 x 1600
HDMI	Up to 1920 x 1080
Multi-Display	Dual Display (LVDS + VGA/HDMI)

### Touchscreen

Touch type	Multi-touch projected capacitive
------------	----------------------------------

### I/O Connectors

Serial Port	2 x RS-232 (COM1/2)
USB Port	1 x USB3.0 4 x USB2.0
Ethernet	2 x GbE LAN
Display	1 x HDMI, 1 x VGA
Audio	1 x Line-out ( Optional ) 1 x Mic ( Optional )
Others	1 x DC-IN (2-Pin Phoenix) 1 x Pre-Switch

### RFID

Frequency	13.56MHz
Baud Rate	9600~115200 bits/s ( Default 9600 )
Reading Distance	≤ 10mm
Protocol	ISO/IEC14443A、ISO/IEC 14443B、ISO/IEC 15693

### Expansion

Mini-PCIe	1 x Full-size Mini-PCIe for mSATA 1 x Full-size Mini-PCIe
-----------	--

### Power Management

Power Input	DC 12V
Power Adapter	AC-DC, 12V@5A, 60W
Power Consumption	29W ( Typ )

### Environmental

Operating Temperature	-10~50°C
Storage Temperature	-20~60°C
Relative Humidity	10%-90%, @ 40°C ( non-condensing )
Vibration	5~500Hz, 0.026 G²/Hz, 2.16 Grms, X, Y, Z, 1 hour per axis
Certifications	CE, FCC

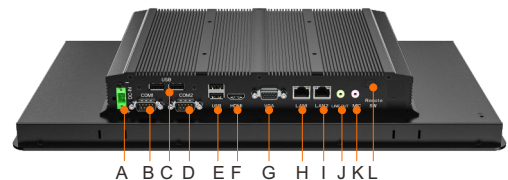
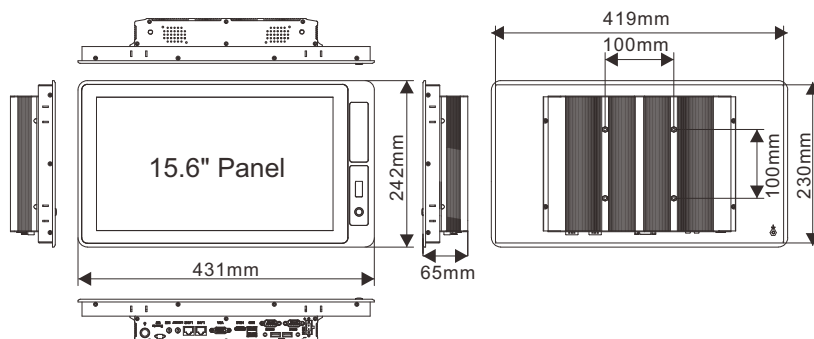
### Mechanical

Housing	Aluminum alloy panel, all-metal structure
Mounting Mode	Panel-mount, VESA-mount
Dimension (W x L x H)	431 x 242 x 65 mm
Weight	5.5Kg

### Packing List

1 x DPC-4152WR
1 x AC-DC Power Adapter
1 x Certificate
1 x Warranty Card
8 x Panel Mounting Buckles

## Dimension



A: DC-input	H: LAN1
B: COM1	I: LAN2
C: USB	J: Line-out
D: COM2	K: Mic
E: USB	L: Remote Switch
F: HDMI	
G: VGA	