

FMT-715A

10.1", Capacitive Touch, RK3568, Android 11, WiFi(2.4G/5G) / Bluetooth / 4G / GPS / CAN
Fleet Management Data Terminal



A: CAN1/2	H: TF
B: COM3	I: HDMI
C: COM2	J: LAN2-I
D: DC-IN	K: LAN1-E
E: COM1	L: AUDIO
F: USB2.0	M: SIM
G: USB3.0/OTG	



Introduction

FMT-715A is a industrial grade vehicle terminal designed for fleet management application, equipped with 10.1-inch capacitive touch screen, Rockchip high-performance 4-core processor, Android 11 operating system, optional Wi-Fi,4G/5G, CAN, GPS, Bluetooth and other wireless communication modules. It can achieve real-time scheduling and all-round monitoring and management of vehicles.

Features

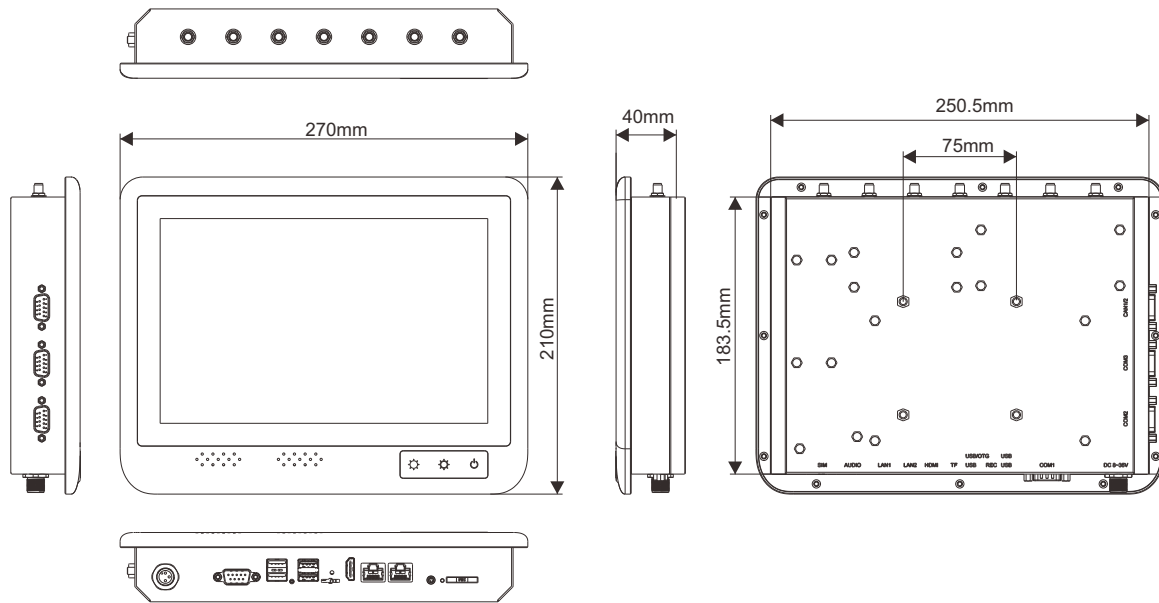
- 10.1-inch(1280x800) LCD with capacitive touchscreen
- Rockchip RK3568 4-core processor, up to 2.0GHz
- Rugged metal enclosure and fanless design
- Wide range 8-36V DC power input
- Optional build-in WiFi, Bluetooth, LTE/5G, GPS
- Rich I/O, 2xLAN, 3xCOM, 2xCAN, 4xUSB, 1xAudio

Applications

- Manufacturing Logistics
- Warehouse Management
- Vehicle management of driving school



Dimensions



Specifications

System	
Processor	Rockchip RK3568, 4-core Cortex-A55, up to 2.0GHz
System Memory	4GB LPDDR4
Storage	32GB EMMC
Expansion Slot	1 x TF Card, up to 128GB
Operating System	Android 11

Display	
Size	10.1-Inch
Resolution(H x V)	1280 x 800
Brightness	400 cd/m ²

Touchscreen	
Type	Capacitive

Keypad & Keyboard	
Keypad & Keyboard	Power on/off Brightness +/-

RF Communication	
WLAN	802.11 a/b/g/n/ac (2.4G/5G)
WWAN	4G LTE FDD/TDD, TD-SCDMA/WCDMA, CDMA/GSM 5G NR/NSA/SA, LTE FDD/TDD, WCDMA (Optional)
GPS	GPS/GLONASS/BeiDou
Bluetooth	Bluetooth V4.2

Expansion Function	
CAN/OBD-II	2 x CAN

I/O Connectors	
Series Port	3 x RS-232
USB Port	3 x USB 1 x USB / OTG
Expansion	2 x LAN
HDMI	1 x HDMI
SIM	1 x SIM (Pull-Push)

Audio	
Earphone	1 x Line-out
Speaker	1 x 8Ω/2W

Power Management	
Power Input	8~36V DC
Power Consumption	14W typ.

Environmental	
Operating Temperature	-20~60°C
IP Protection Level	IP64
Standard Mounting	VESA 75
Certifications	CE, FCC

Mechanical	
Housing	Aluminum+SGCC
Dimension (W x L x H)	270 x 210 x 40 mm
Weight	1.5Kg