

# DPM-1120G

12.1", capacitive touch screen Industrial touch display



## Features

- 12.1" LCD, capacitive touch
- Compact structure, front panel IP65 dustproof and waterproof
- All-metal structure design, solid and durable
- Support panel and VESA installation
- 1000 lumen display,
- Touch screen surface AG AF treatment



## Specifications

### Display

|                |                        |
|----------------|------------------------|
| Size           | 12.1-inch              |
| Resolution     | 1024 x 768             |
| Viewing Angle  | 80/80/80/80            |
| Color Support  | 16.7M                  |
| Brightness     | 1000 cd/m <sup>2</sup> |
| Contrast Ratio | 700:1                  |
| Response Time  | 3/5 (Typ.)(Tr/Td) ms   |
| Backlight      | LED                    |
| Backlight Life | 50000h                 |

### Touch Screen

|                   |  |
|-------------------|--|
| Type              | Projection multi touch capacitive touch screen |
| Control interface | USB  |
| Surface hardness  | ≥7H  |
| Glass cover       | AG AF  |
| Transmittance     | 80%  |

### I/O Connectors

|         |                                   |
|---------|-----------------------------------|
| USB     | 1 x USB2.0                        |
| Display | 1 x VGA<br>1 x DVI<br>1 x HDMI/DP |
| Others  | 1 x DC-IN (2-Pin Phoenix)         |

### Power Specification

|                   |                    |
|-------------------|--------------------|
| Power Input       | DC 12~24V          |
| Power Adapter     | AC-DC, 12V@5A, 60W |
| Power Consumption | 12W(Typ.)          |

### Environmental

|                       |  |
|-----------------------|--|
| Operating Temperature | -10~50°C   |
| Storage Temperature   | -20~60°C   |
| Relative Humidity     | 10%-90%, @ 40°C (non-condensing)                                       |
| Vibration             | 5~500Hz, 0.026 G <sup>2</sup> /Hz, 2.16 Grms, X, Y, Z, 1 hour per axis |
| Certifications        | CE, FCC  |

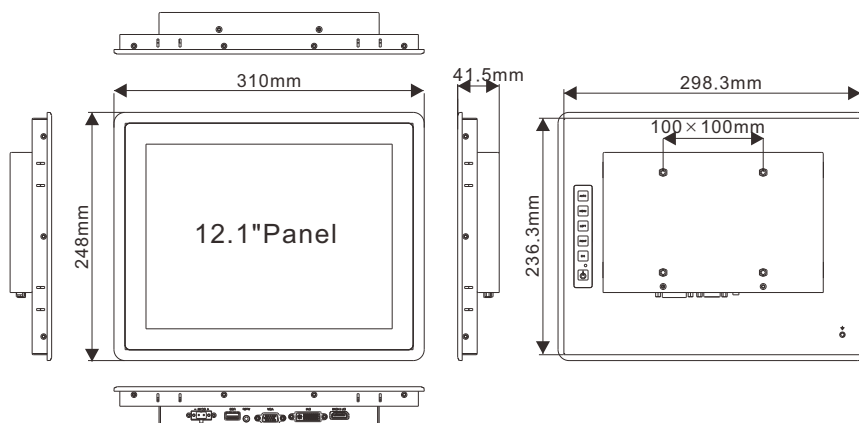
### Mechanical

|                       |   |
|-----------------------|---|
| Housing               | Aluminum alloy panel, all-metal structure |
| Mounting Method       | Panel-mount, VESA-mount                   |
| Dimension (W x L x H) | 310 x 248 x 41.5 mm                       |
| Weight                | 2.4Kg                                     |

### Packing List

|                            |
|----------------------------|
| 1 x DPM-1120G              |
| 1 x AC-DC power adapter    |
| 1 x USB control cable      |
| 1 x VGA data cable         |
| 1 x fixed cable buckle     |
| 1 x Certificate            |
| 1 x Warranty Card          |
| 8 x Panel Mounting Buckles |

## Dimensions



|            |          |
|------------|----------|
| A: DP/HDMI | D: Audio |
| B: DVI     | E: USB   |
| C: VGA     | F: DC-IN |