

8" Android Rugged Tablet with MTK Octa-core Processor

Overview

Darveen rugged tablets are crafted to withstand the harshest industrial environments, providing mobile solutions that increase productivity, enhance safety, and reduce operational costs. The RTC-M81 is equipped with the Android 11 operating system and an 8-inch screen supported by stylus, glove, and wet-touch modes. It also features an integrated IPS 700-nit screen for clear visibility and operational comfort, regardless of the weather or application.

Features

- MTK MT6771 Octa-core processor
- Android 11 operating system
- Supports 1D, 2D barcode reader, NFC, RFID, fingerprint (optional)
- Supports 4G, WLAN, BT, and GNSS
- Rich I/O interfaces including: RS-232, RJ45 Ethernet, USB, HDMI
- Removable high-capacity battery design
- IP67 and MIL-STD-810H certified



I/O Interfaces

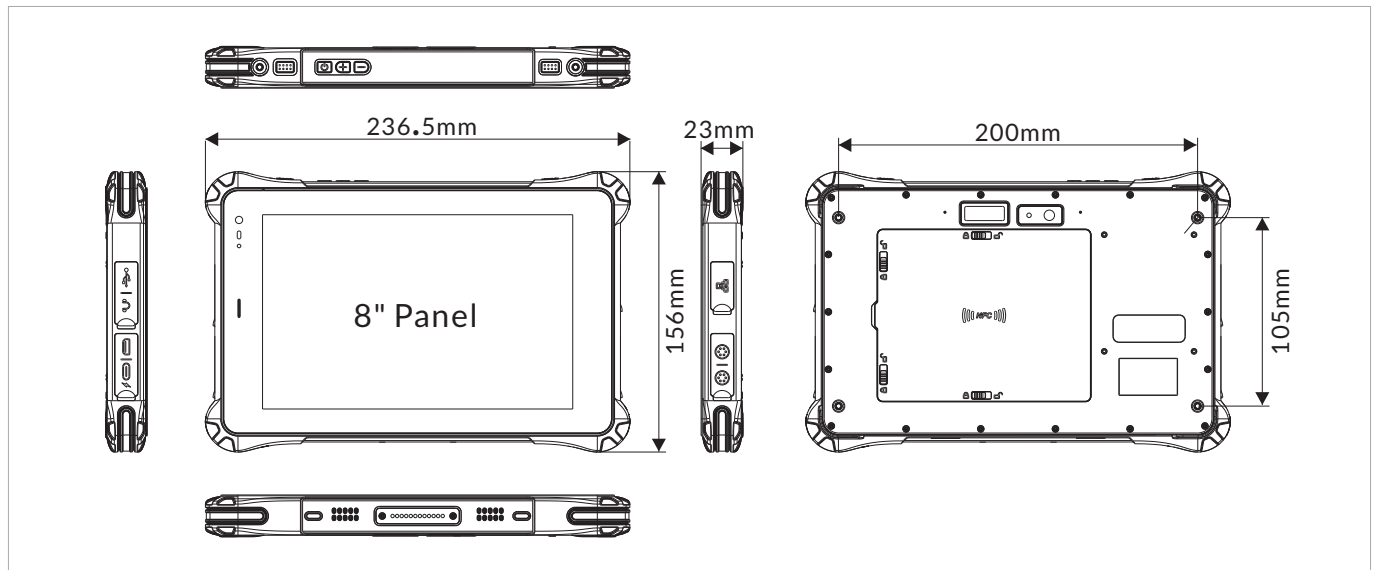


Specifications

| | |
|----------------------------------|---|
| Display | |
| Size | 8 inch |
| Touch Type | G+G Capacitive multi-touch screen, gorilla glass, hardness 7h |
| Resolution | 800 x 1280 |
| Luminance | 700 nits |
| Contrast Ratio | 1200: 1 |
| View Angles | 85 (left), 85 (right), 85 (up), 85 (down) |
| Color | 16.7M |
| System | |
| CPU | MTK MT6771, ARM Cortex-A73 Quad-core 2.0 Ghz,ARM Cortex-A53 Quad-core 2.0GHz |
| Memory | 4GB LDDR4 (optional 6GB) |
| Storage | 64GB EMMC (optional 128GB) |
| Graphics | ARM Mail-G72 |
| Camera | Front: 5MP fixed-focus camera Rear: 13MP autofocus camera with flash |
| Sensor | Compass, Gyroscope, G-sensor, Light sensor |
| Keypad & Keyboard | |
| Button | 1x Power button, 1x Volume+, 1x Volume -, 2x Function keys |
| I/O Ports | |
| USB | 1x USB 3.0 Type A 1x USB 2.0 Type C (supports power charging and data transfer) |
| Ethernet | 1x RJ45 10/100M |
| Display | 1x Mini HDMI |
| Audio | 1x 3.5mm audio combo jack |
| SIM Card Slot | 1x Micro SIM card slot |
| TF Card Slot | 1x TF card slot, up to 256GB |
| Aviation Plug | 2x Aviation plug (choose two out of three from USB, RS232 or DC-in) |
| Docking Connector | 1x 12-Pin |
| RF Communication | |
| Wi-Fi | Wi-Fi 802.11 (a/b/g/n/ac), dual band (2.4G + 5.8G) |
| Cellular | GSM: B2/B3/B5/B8, WCDMA: B1/B2/B5/B8 TD-SCDMA:B38/B39/B40/B41 CDMA2000: BC0/BC1 FDD: B1/B3/B5/B8/B20/B28a/B28b or B2/B4/B7/B17 TDD: B34/B38/B39/B40/B41 |
| Bluetooth | BT4.2 (BLE) Class 1 |
| GNSS | GPS, GIONASS, BeiDou |
| Data Collection(Optional) | |
| NFC | 13.56MHz, supports ISO/IEC 14443A/14443B/15693/18092/mifare |
| RFID | HF: 13.56MHz, supports ISO/IEC 14443A/14443B/15693 UHF: 900MHz, supports PR9200 / R2000 |
| Barcode Reader | 1D, 2D barcode reader |
| Fingerprint | FBI/ISO/GA Certification |
| Audio | |
| Speaker | 8Ω/1W, dual stereo speakers |
| MIC | Built-in microphone |
| Power | |
| DC Input | 100-240V, 50-60Hz, 12VDC |
| Battery | Removable lithium-ion polymer battery, 3.8V 10000mAh |
| Battery Life | 8 hours |
| Operating System | |
| Android | Android 11 |

| Mechanical | |
|------------------------|---|
| Dimensions (W x D x H) | 236.5 x 156 x 23mm (9.31 x 6.14 x 0.91 inches) |
| Weight (N.W.) | 850g (1.87lbs) |
| Environment | |
| Operating Temperature | -10 °C to 50 °C (14 to 122°F) |
| Storage Temperature | -20 °C to 60 °C (-4 to 140°F) |
| Relative Humidity | 95% @ 40°C (104°F), non-condensing |
| Vibration | MIL-STD-810H: 2022 Method 514.8 Procedure I |
| Drop | MIL-STD-810H: 2022 Method 516.8 Procedure IV, 4ft |
| IP Rating | IP67 compliant |
| Certification | |
| EMC | CE, FCC |
| Packing List | |
| Packing | 1x RTC-M81, 1x Battery, 1x Hand strap, 1x Power adapter |

Dimensions



Optional Accessories

| Part No. | Description |
|----------|----------------|
| SS18 | Shoulder strap |
| HS8 | Hand strap |

Ordering Information

| Part No. | Description |
|---------------|--|
| RTC-M81-B1000 | 800 x 1280@700nit, MT6771, 4GB + 64GB, Wi-Fi, Bluetooth, 4G, GPS, 3.8V@1000mAh Battery |
| RTC-M81-B1200 | 800 x 1280@700nit, MT6771, 4GB + 64GB, Wi-Fi, Bluetooth, 4G, GPS, 3.8V@1000mAh Battery, 2D Barcode |