

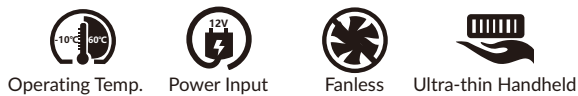
Intel® Celeron® Fanless Box Computer with 2x COM, 4x USB, 2x LAN

## Overview

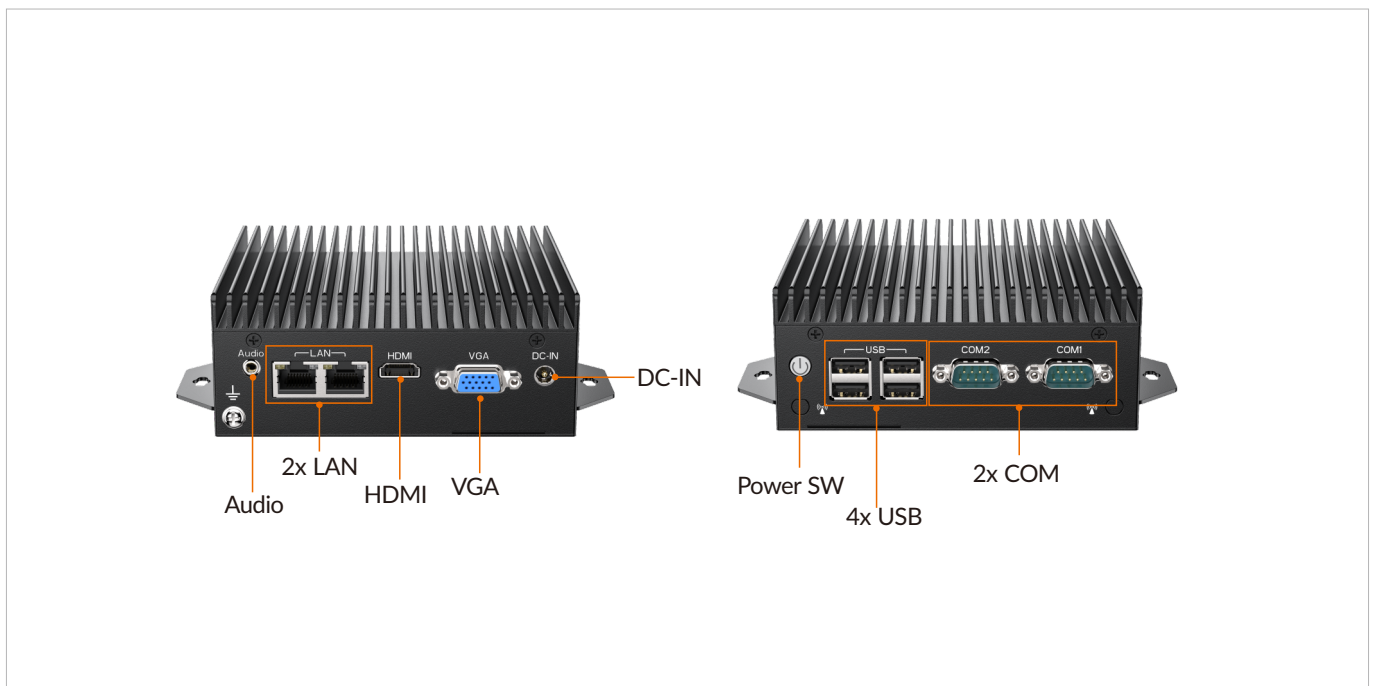
NBC-1122 is an advanced industrial computer equipped with extensive I/O options, offering great flexibility and effortless Mini PCIe expansion capabilities. It boasts wide-input power ranges, wide temperature tolerances, and enhanced structural durability, making it an excellent choice for industrial applications.

## Features

- Intel® Celeron® J1900/J4105 processor
- 2x COM (1x RS-232/485), 2x LAN, 4x USB, VGA, HDMI
- 1x 2.5" SATA HDD/SSD, 1x mSATA
- 1x Full length Mini PCIe, 1 x M.2 2230
- 12VDC power input



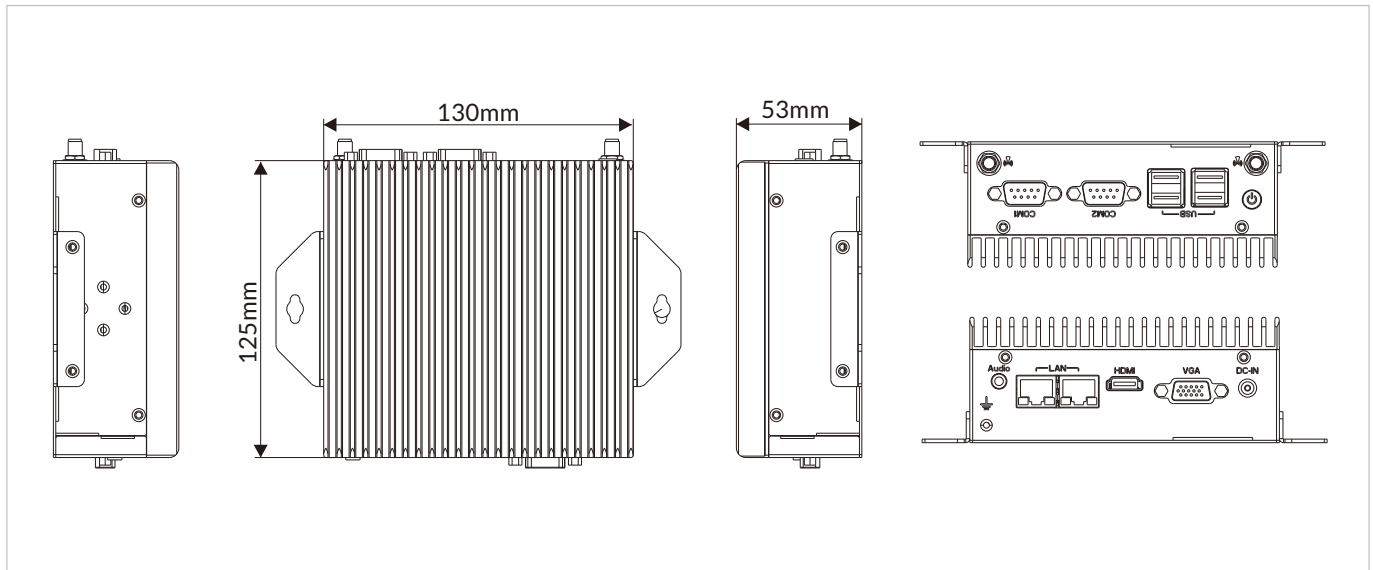
## I/O Interfaces



## Specifications

System	NBC-1122-J1900	NBC-1122-J4105
CPU	Intel® Celeron® J1900	Intel® Celeron® J4105
CPU TDP	10W	10W
Memory	1x DDR3L 1333 MHz SO-DIMM up to 8GB	1x DDR4 2400 MHz SO-DIMM up to 16GB
Storage	1x 2.5" SATA HDD 1x mSATA	
BIOS	AMI UEFI	
Watchdog Timer	Software programmable. Supports 256 levels system reset	
<b>I/O Ports</b>		
USB	3x USB 2.0, 1x USB 3.0	2x USB 2.0, 2x USB 3.0
Serial	2x COM (COM1 supports RS-232/485)	2x COM (RS-232)
Ethernet	2x RJ45 GbE RTL8111H	
Display	1x VGA, 1x HDMI	
SIM Card Slot	1x SIM card slot (inside)	NA
Antenna	2x SMA antenna holes	
<b>Expansion Slot</b>		
Mini PCIe	1x Full length Mini PCIe	
<b>RF Communication</b>		
Wi-Fi	Mini PCIe expansion (optional)	
Cellular	Mini PCIe expansion (optional)	NA
Bluetooth	Mini PCIe expansion (optional)	
GNSS	Mini PCIe expansion (optional)	
<b>Audio</b>		
Audio	Mic in, line out	
<b>Power</b>		
Button	Yes	
DC Input	12VDC	
Power Mode	AT/ATX	
<b>Operating System</b>		
Windows	Windows 7, Windows 10	Windows 10
Linux	Ubuntu	
<b>Mechanical</b>		
Dimensions (W x D x H)	130x 125x 53mm (5.12 x 4.92 x 2.09 inches)	
Weight (N.W.)	0.9 kg (1.98 lbs)	
Mounting	Wall mount	
Material	Aluminum alloy	
<b>Environment</b>		
Operating Temperature	-10 to 60°C (14 to 140°F)	
Storage Temperature	-20 to 60°C (-4 to 140°F)	
Relative Humidity	10% to 95% @ 40°C (104°F), non-condensing	
<b>Certification</b>		
EMC	CE, FCC Class A	

## Dimensions



## Optional Accessories

Part No.	Description
A.02.001.000022	AC/DC power adaptor 60W 12V 5A

## Ordering Information

Part No.	Description
NBC-1122-J1900	J1900 NBC with 2x COM (1x RS-232/485), 2x LAN, 4x USB, VGA, HDMI, 12VDC
NBC-1122-J4105	J4105 NBC with 2x COM RS-232, 2x LAN, 4x USB, VGA, HDMI, 12VDC