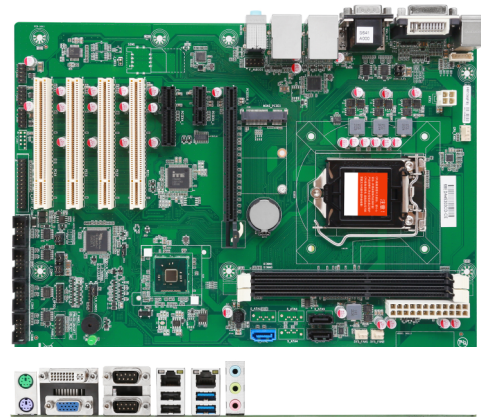


Intel® 4th Generation Core™ i3/i5/i7 CPU, H81 Chipset, 3x PCIe, 4x PCI, 6x COM, 10x USB, 2x LAN

Features

- Supports Intel® 4th Gen Core™ i3/i5/i7 CPU
- Adopting Intel® H81 Chipset
- 6x COM, 10x USB, 2x GbE LAN
- Supports Dual display of VGA and DVI
- 1x PCIe 16, 1x PCIe 4, 1x PCIe 1, 4x PCI
- 1x Mini-PCIe (mSATA)



Specifications

Model	DMB-AH81
CPU	Support Intel® Pentium/ Celeron 4 th Generation Core i3/5/7 CPU, LGA1150
Chipset	Intel® H81 [1], TDP 4.1 W
Display	1× VGA 1× DVI-I Port (only support DVII-D Signal)
Memory	Support DDR3 1333/1600 MHz, 2× DIMM Slot. Up to 16GB [2]
Storage	1× SATA3.0+2× SATA2.0
Ethernet	2× Intel GbE LAN Chip (10/100/1000 Mbps)
Audio	Realtek ALC897 5.1 Channel HDA Codec, Support MIC/Line-out Ports
COM	5× RS232+1× RS232/RS485 [3]
Other Ports	1× PCI-E X1 slot 1× PCI-E X4 slot [4] 1× PCI-E X16 slot 4× PCI 10× USB: 2× Rear IO(USB3.0)+ 2× Rear IO(USB2.0)+ 6× Header (USB2.0) Fan: 1× CPU Fan + 2× System Fan 8× GPIO 1× Audio Connector + 1× Front Audio 1× Mini PCI-E [5] 1× LPT Header 1× SIM Connector 1× PS/2 Connector + 1× PS/2 Pin Header [6] 2× ATX Power Inout Connector
Temperature.	Storage: -20~75°C Operating: 0~60°C
BIOS	AMI UEFI BIOS
Factor	ATX(305mm× 220mm)

Notes:

[1]: Chipset can be customized into Intel® B85.

[2]: Due to the restriction of Windows 32bit OS, when applied more than 4G memory, 32bit OS may detect less than actual size.

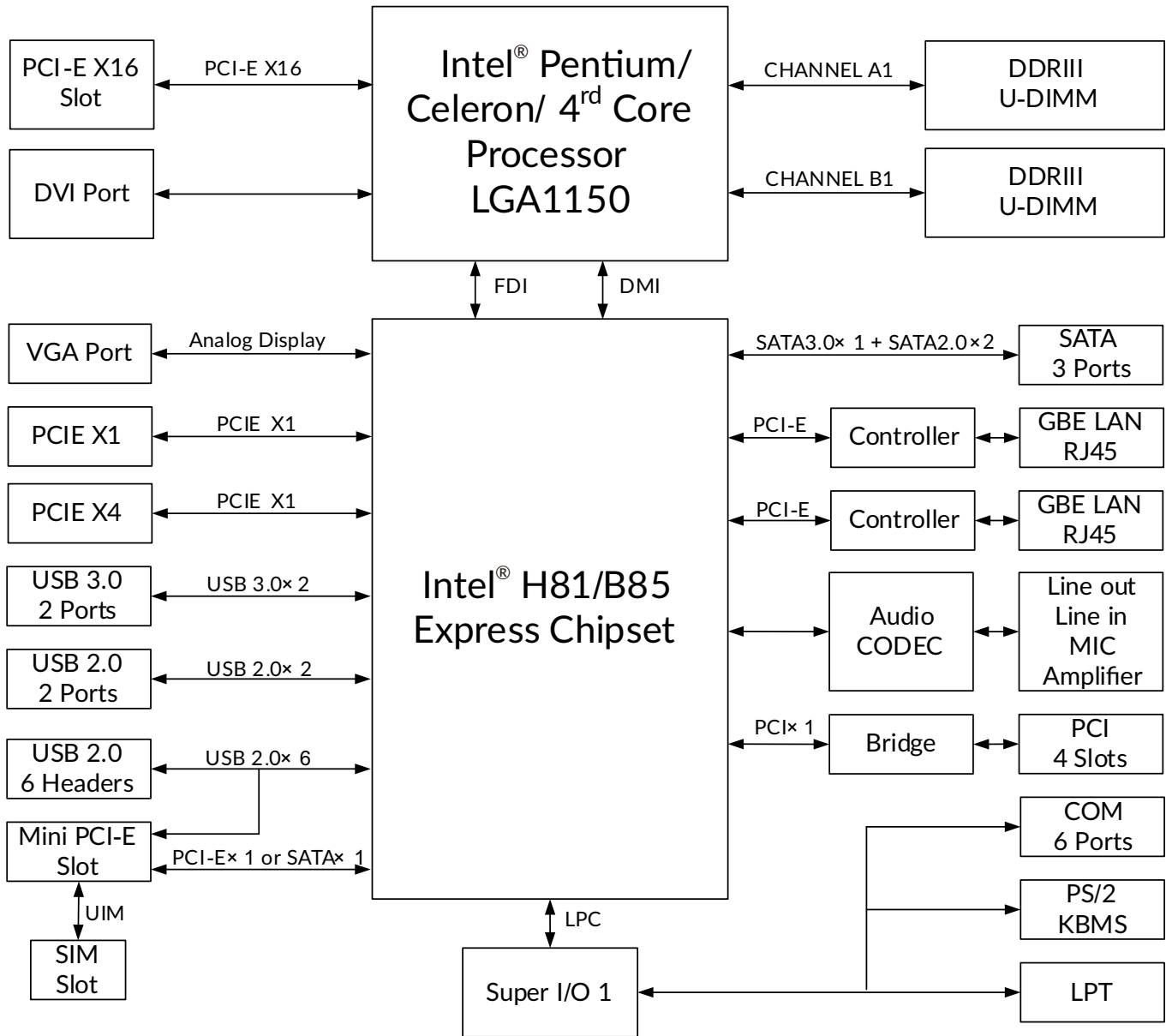
[3]: Signal of J_COM3 is RS232 by default. It also can be RS485 via Jumper JCOM3_485.

[4]: This PCI-E X4 slot can only support PCI-E X1 device for it just have PCI-E X1 signal.




[5]: Mini PCI-E1 slot supports mSATA(SATA 3.0) by default at the cost of invalidating SATA1. It can also support 3GWIFI1 if specialized. When it supports 3G, one of the USB ports of F_USB3 will be invalid.

[6]: The PS/2 Connector and the PS/2 Pin Header share the same signal; they can't be accessed Simultaneously.

Functional Block Diagram



Packing list

COM data cable (single port) DB9 (with iron plate) to 10P 2.54MM spacing pin (plug the 10th hole), with a total length of 40cm cross connection	5pcs/set	COM data cable	
SATA data cable 7P-7P 180 ° -180 ° with shrapnel at both ends, with a total length of 50cm yellow wire	1pcs/set	SATA data cable	
IO blocking SVIO-312 with three layers and 2.5mm aluminum foil foam for selection (2× RJ45)	1pcs/set	IQ blank	

Ordering information

Product Model	Parameter
DMB-AH81	Intel® 4th Generation Core™ i3/i5/i7 CPU, H81 Chipset, 3× PCIe, 4× PCI, 6× COM, 10× USB, 2× LAN