

Modular Industrial Computer with 10th/11th Gen Intel® Core™ i3/i5/i7/i9, Pentium®, Celeron® Processor

## Overview

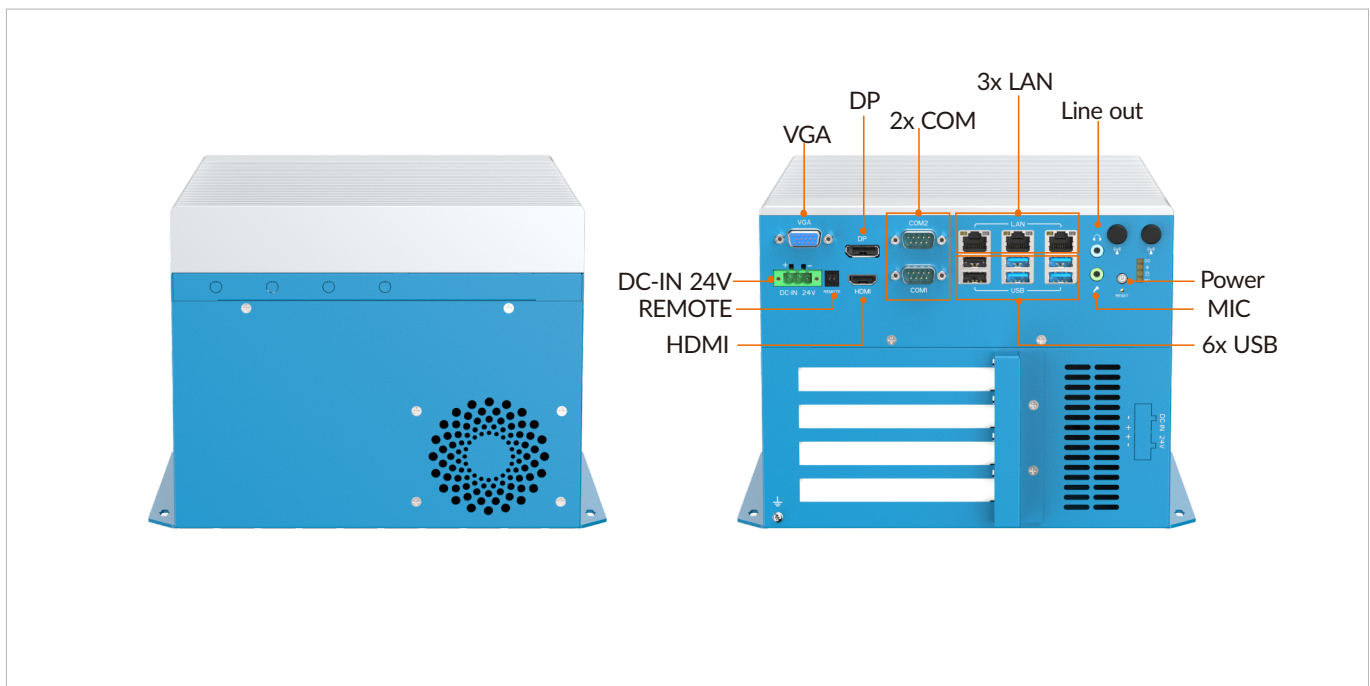
The MIC-8022 is a modular industrial computer featuring 10th/11th Gen Intel® Core™ i3/i5/i7/i9, Pentium®, and Celeron® processors. With robust functionalities, extensive connectivity options, flexible video outputs, and storage solutions, it provides excellent performance for diverse industrial applications while operating on a 24VDC power input.

## Features

- 10th/11th Gen Intel® Core™ i3/i5/i7/i9, Pentium®, Celeron® Processor
- 2x COM(1xRS-232/485), 3x LAN, 6x USB
- 2x PCI, 1x PCIe X16 1x PCIe X4
- 1x DP, 1x VGA, 1x HDMI
- 2x M.2 M-Key 2280 ,1x M.2 E-Key 2230 ,1x M.2 B-Key 3052
- 24VDC power input



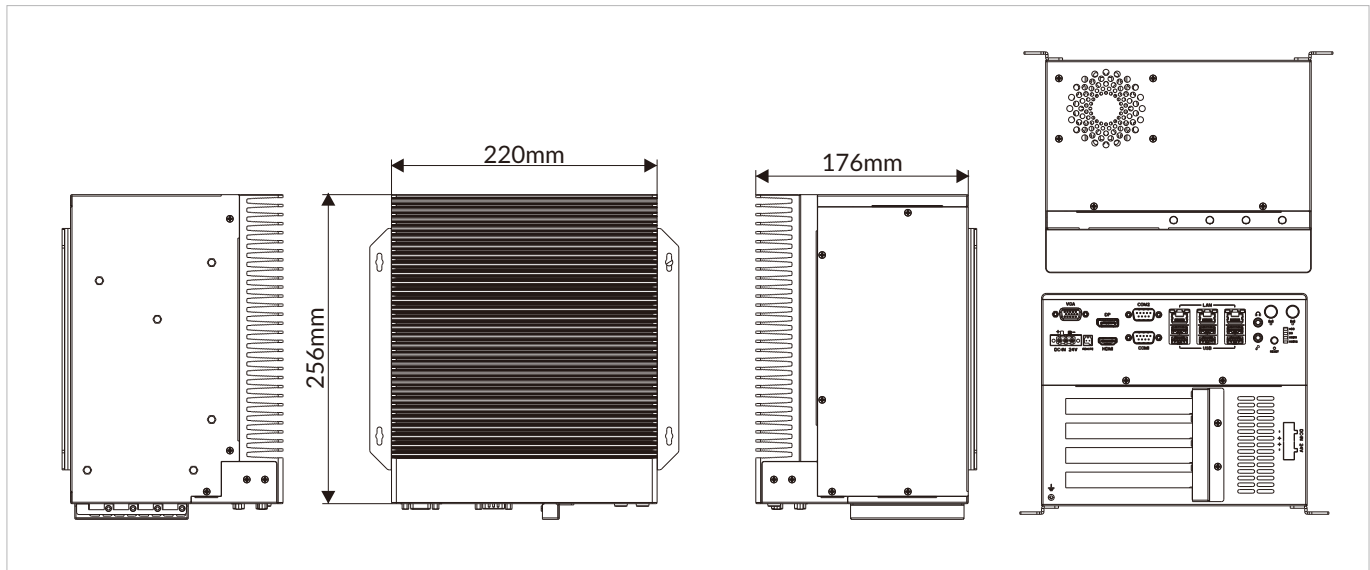
## I/O Interfaces



## Specifications

<b>System</b>	
CPU	10th/11th Gen Intel® Core™ i3/i5/i7/i9, Pentium®, Celeron® Processor
CPU TDP	65W
Chipset	H420E
Memory	2x DDR4 SO-DIMM up to 64GB
Storage	2x M.2 2280 SATA
BIOS	AMI 128Mbit SPI Flash
TPM	1x SPI (optional)
Watchdog Timer	Software programmable supports 256 levels system reset
<b>I/O Ports</b>	
USB Port	2x USB 2.0, 4x USB3.0
Serial Port	2x COM (1xRS-232/485)
Ethernet	1x Intel® I219-LM, 2x Intel® I210-AT
Display Port	1x DP, 1x VGA, 1x HDMI
SIM Card Slot	1x SIM
Antenna Hole	6x SMA-type
<b>Expansion Slot</b>	
PCI/PCIe	2x PCI, 1x PCIe X16, 1x PCIe X4
M.2	2x M.2 M-Key 2280, 1x M.2 E-Key 2230, 1x M.2 B-Key 3052
<b>RF Communication</b>	
Wi-Fi	1x M.2 2230 E-Key (PCIe AxMac Wi-Fi 6)
Cellular	1x M.2 3052 B-Key (USB3.0)
Bluetooth	1x M.2 2230 E-Key (PCIe AxMac Wi-Fi 6)
GNSS	1x M.2 3052 B-Key (USB3.0)
<b>Audio</b>	
Audio	Mic in, line out
<b>Power</b>	
Remote Power On/Off	2-Pin remote
DC Input	24VDC
Input Type	1x 3-pin terminal block connector
Power Mode	AT/ATX
<b>Operating System</b>	
Windows	Windows 10/11
Linux	Ubuntu
<b>Mechanical</b>	
Dimensions (WxDxH)	220 x 256 x 176mm (8.66 x 10.08 x 6.93 inches)
Weight (N.W.)	5.6kg (12.35 lbs)
Mounting	Wall-mount
Material	Aluminum alloy
<b>Environment</b>	
Operating Temperature	-10 to 50°C (14 to 122°F, with SSD Airflow 0.7m/s)
Storage Temperature	-40 to 80°C (-40 to 176°F)
Relative Humidity	10% to 95% (non-condensing)
<b>Certification</b>	
EMC	CE, FCC Class A

## Dimensions



## Ordering Information

Part No.	Description
MIC-8022	Industrial modular computer with Intel® Core™ i processor, 3x LAN, 2x COM (1xRS-232/485), 6x USB, 2x PCI, 1x PCIe X16 1x PCIe X4, 1x DP, 1x VGA, 1x HDMI