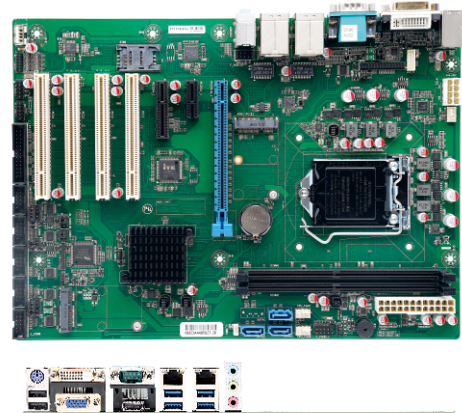


Intel® 6/7/8/9th Generation Core™ i3/i5/i7 CPU, H110 Chipset, 3x PCIe, 4x PCI, 6x COM, 9x USB, 2x LAN

Features

- Supports Intel® 6/7/8/9th Gen Core™ i3/i5/i7 CPU
- Adopting Intel® H110 Chipset
- 6x COM, 9x USB, 2x Intel® GbE LAN
- Supports Dual display of VGA, HDMI, eDP and DVI
- 1x PCIe 16, 1x PCIe 4, 1x PCIe 1, 4x PCI
- 2x Mini-PCIe (1x mSATA, 1x Wifi/3G/4G)



Specifications

Model	DMB-AH110
CPU	Support Intel® Pentium/Celeron 6/7/8/9th Generation Core i3/i5/i7 CPU, LGA1151 Support MAX CPU TDP: 65W
Chipset	Intel® H110,TDP 6W
Display [1]	1× VGA DB15 port + 1× DVI port + 1× HDMI port + 1× EDP Header
Memory	Support DDR4 2400, 2× U-DIMM Slot, Up to 32GB[2]
Storage	3× SATA3.0+1× mSATA[3]
Ethernet	1× Intel® I210AT+1× Intel® 1219-LM for 1000Mbps
Audio	Realtek ALC897 5.1 Channel HD Audio Codec Support 2× MIC+2× Line-out +1× Line-in
COM	4× RS232+2× RS232/RS485[4]
USB	9× USB: 4× USB3.0 (Rear IO)+ 2× USB2.0(Rear IO) + 3× USB2.0(Header)
Expansion Slots	1× PCIe16X Slot 1× PCIe 4X Slot 1× PCIe1XSlot 4× PCI Slot 1× Mini PCI-E Slot(Support 3G/4G +WIFI)[3]
Other Ports	8× GPIO 1× LPT Header 1× SMB Header 1× Front Panel Header 1× PS/2 Connector (keyboard or mouse) 1× SIM Card Slot 3× CPu Fan Header
System	Windows 7/8/10, Server 2008/2012, Linux
Temperature	Storage: -20~75°C Operating: 0~60°C
BIOS	AMI
Power Supply	UEFI BIOSATX
Factor	305mm× 217mm

Notes:

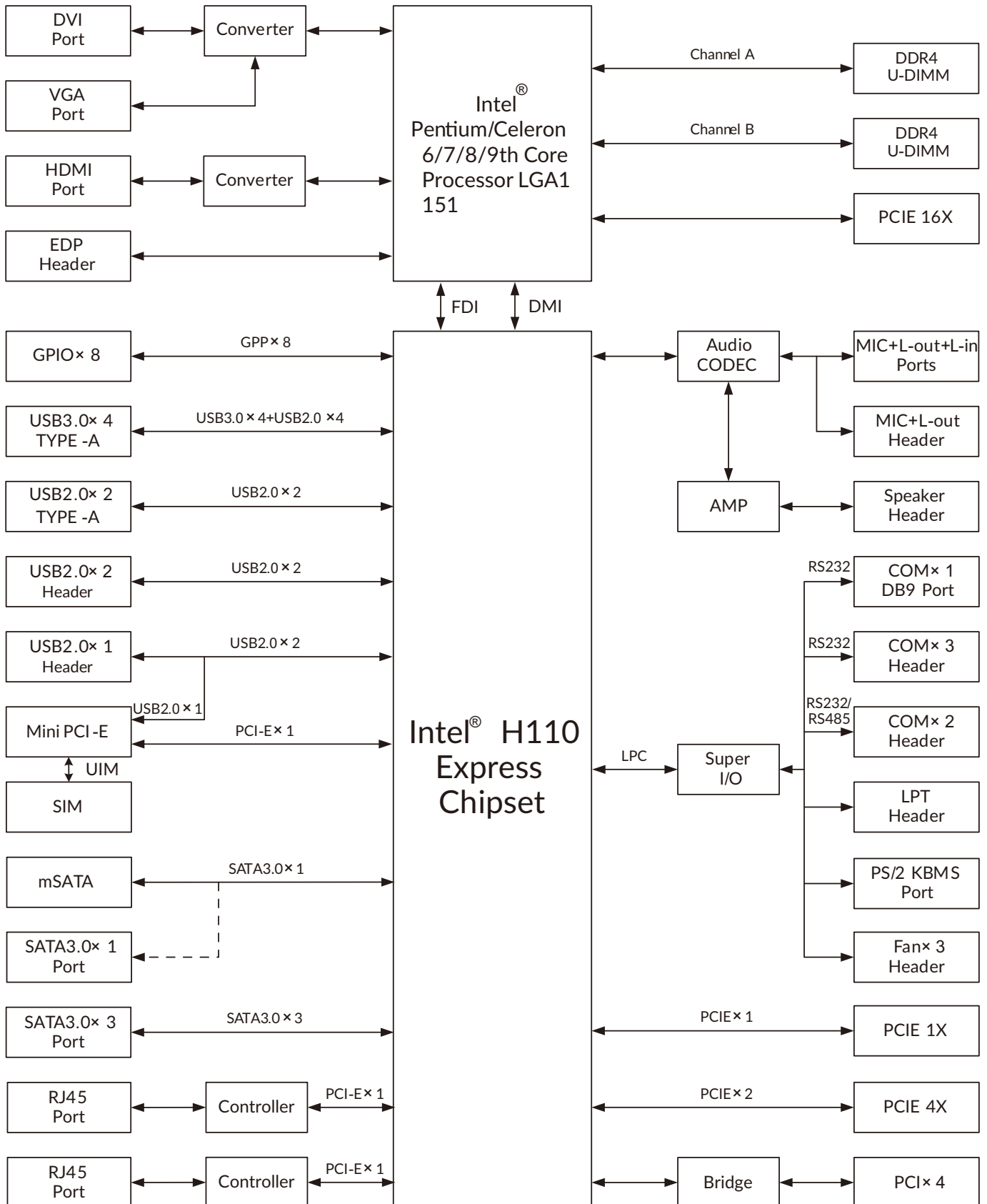
[1]: Up to two displays can be activated at the same time when chipset is customized into Intel® H110.

[2]: 6th Generation CPU support DDR4 2133.




[3]: MIN-PCIe1 slot supports 3G4G and WIFI by default, MSATA1 slot supports mSATA by default. MSATA and SATA1 share the same signal, they can't be accessed simultaneously.

[4]: COM3-4 is RS232 by default, RS485 is selectable by "COM3-4 Select Jumpers"(JM_COM3-4, Location 6).

Functional Block Diagram



Packing list

COM data cable (single port) DB9 (with iron plate) to 10P 2.54MM spacing pin (plug the 10th hole), with a total length of 40cm cross connection	5pcs/set	COM data cable	
SATA data cable 7P-7P 180 ° -180 ° with shrapnel at both ends, with a total length of 50cm yellow wire	1pcs/set	SATA data cable	
IO blocking SVIO-312 with three layers and 2.5mm aluminum foil foam for selection (2× RJ45)	1pcs/set	IQ blank	

Ordering information

Product Model	Parameter
DMB-AH110	Intel® 6/7/8/9th Generation Core™ i3/i5/i7 CPU, H110 Chipset, 3× PCIe, 4× PCI, 6× COM, 9× USB, 2× LAN