

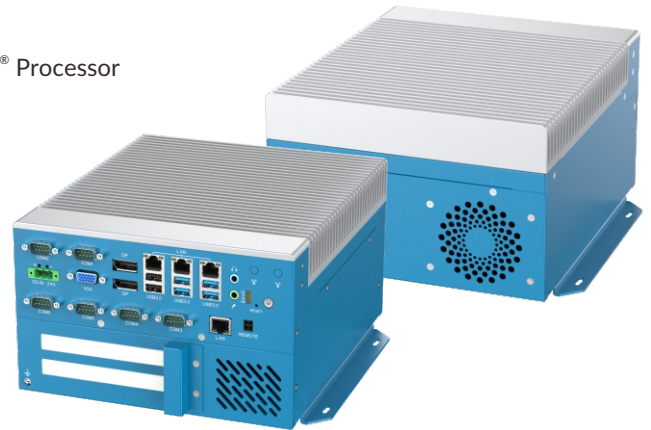
Industrial Modular Computer with 6th/7th/8th/9th Gen Intel® Processor, 4x LAN, 6x COM (3x RS-232/485), 6x USB, 1x Remote, 1x PCI, 1x PCIe16

Overview

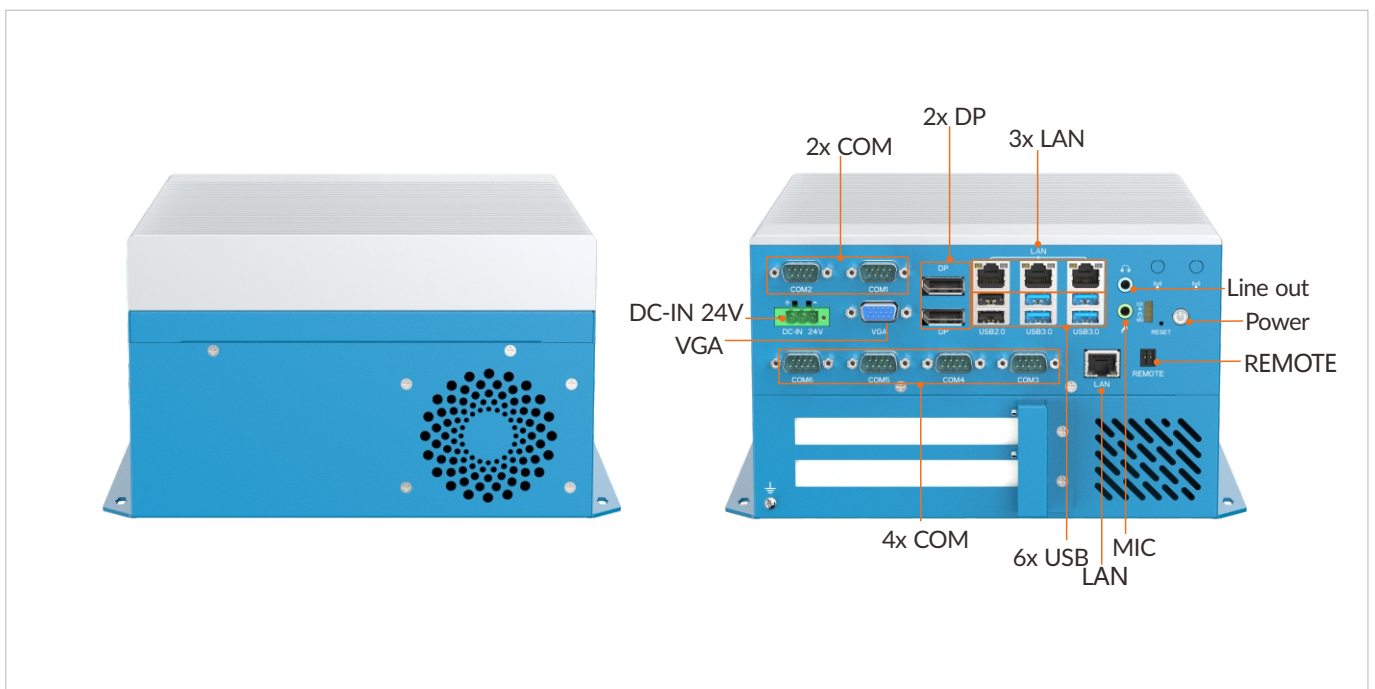
The MIC series boasts a modular design that incorporates versatile expansion slots to cater to a wide range of application needs. Its robust aluminum housing provides excellent heat dissipation and exceptional EMI/impact/vibration resistance. MIC-7211 is specifically designed to support Intel® processors from 6th to 9th generation with LGA1151 socket compatibility. This makes it a perfect fit for embedded and industrial PC applications that require high-performance processors in compact spaces.

Features

- 6th/7th/8th/9th Gen Intel® Core™ i3/i5/i7/i9, Pentium®, Celeron® Processor
- 6x COM(3xRS-232/485), 4x LAN, 6x USB
- 1x PCIe, 1x PCI
- 2x DP, 1x VGA
- 1x 2.5" SATA HDD/SSD, 1x M.2 SSD, 1x full length Mini PCIe
- 24VDC power input



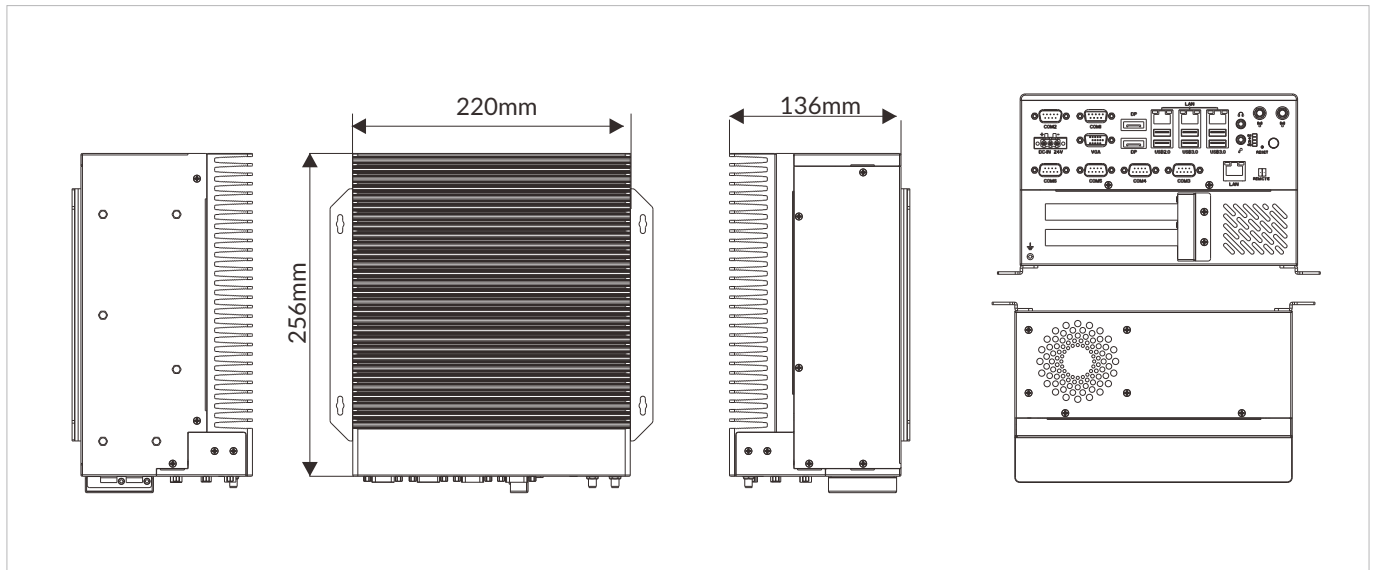
I/O Interfaces



Specifications

System	
CPU	LGA1151 socket 6th/7th/8th/9th gen Intel® processor
CPU TDP	65W
Chipset	Intel® H110
Memory	2x DDR4 2133 MHz SO-DIMM up to 32GB
Storage	1x 2.5" SATA HDD 1x M.2 2280 SATA
BIOS	AMI UEFI
TMP	1x SPI(optional)
Watchdog Timer	Software programmable supports 256 levels system reset
I/O Ports	
USB Port	2x USB 2.0, 4x USB3.0
Serial Port	6x COM(3x RS-232/485)
Ethernet	2 x Intel® i210, 1x Intel® i219-LM ,1x Intel® i225
Display Port	2x DP, 1x VGA
SIM Card Slot	1x SIM (inside)
Antenna Hole	2x SMA-type
Expansion Slot	
PCI/PCIe	1x PCI, 1x PCIe16
Mini-PCIe	1x full-size mini PCIe
M.2	1x M.2 2280 SSD
RF Communication	
Wi-Fi	Mini PCIe expansion (optional)
Cellular	Mini PCIe expansion (optional)
Bluetooth	Mini PCIe expansion (optional)
GNSS	Mini PCIe expansion (optional)
Audio	
Audio	Mic in, line out
Power	
Remote Power On/Off	2-pin remote switch
DC Input	24VDC
Input Type	1x 3-pin terminal block connector
Power Mode	AT/ATX
Operating System	
Windows	Windows 7/10
Linux	Ubuntu22.04
Mechanical	
Dimensions (WxDxH)	220 x 256 x 136mm (8.66 x 10.08 x 5.35 inches)
Weight (N.W.)	4.6kg (10.14 lb)
Mounting	Wall-mount
Material	Aluminum alloy
Environment	
Operating Temperature	-10 to 50°C (14 to 122°F, with SSD Airflow 0.7m/s)
Storage Temperature	-40 to 80°C (-40 to 176°F)
Relative Humidity	10% to 95% (non-condensing)
Certification	
EMC	CE, FCC Class A

Dimensions



Ordering Information

Part No.	Description
MIC-7211	Industrial Modular Computer with Intel® Core-i processor, 4xLAN, 6xCOM(3xRS-232/485), 6x USB, 1xPCI, 1xPClex16, 2xDP, 1xVGA