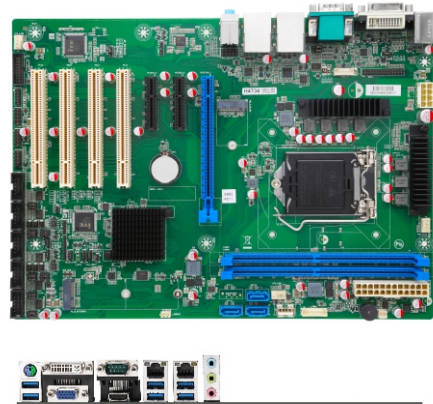


Intel® 10th Generation Core™ i3/i5/i7/i9 CPU, h470 Chipset, 1x PCIeX16, 2x PCIeX4, 4x PCI 6x COM, 13x USB, 2x LAN

## Features

- Supports Intel® 10th-generation Core™ i3/i5/i7/i9 processors
- Adopting Intel® H470 chipset
- 2x Intel Gigabit network port, 13x USB, 6x COM, 2x M.2
- 1x VGA, 1x HDMI, 1x DVI, 1x eDP, support dual display
- 1x PCIe 16, 2x PCIe 4, 2x PCI



## Specifications

Model	DMB-AH470
CPU	Intel® 10th Generation Core™ i3/5/7/9, Pentium®, Celeron® Processors, LGA1200 Support MAX CPU TDP: Hexa-Core 65W, Deca-Core 35W
Chipset	Intel® H420E, TDP 6W
Display [1]	1x DVI-D(DVI-I): Support DVI-D with max resolution up to 1920x1200@60Hz 1x HDMI 1.4b (TYPE-A): Support max resolution up to 4096x2160@30Hz 1x VGA(DB15/F): Support max resolution up to 1920x 1200@60Hz 1x eDP:Support max resolution up to 4096x 2304@60Hz
Memory[2]	Support DDR4-2133/2400/2666/2933MHz, 2x U-DIMM Slot, Up to 64GB
Storage[3]	3x SATA 3.0 Connector (Only Q470 support RST RAID 0,1,5,10) 1x M.2 Key-M Slot (PCIE 2x/SATA, Default SATA, Support SATA SSD, 2242/2280)[5]
Ethernet	1x Intel I219-V GBE LAN Chip(RJ45,10/100/1000 Mbps) [4] 1x Intel I225-V GBE LAN Chip(RJ45,10/100/1000 Mbps)
Audio	Realtek Audio HDA Codec, 1x Line-Out + MIC + Line-In 3.5mm Jack 1x Front Audio Header (Line-Out + MIC) 1x SPDIF Out Header
Expansion Slots	4x PCI Slot 1x PCI-E 16x Slot 1x M.2 Key-E Slot(PCIE+USB2.0,Support WIFI+ BlueTooth, 2230) 1x PCIe4x Slot (PCIE 2x, PCIE4x 2) [5] 1x PCI CLK 66MHz/33MHz Select Jumper 1x PCIe4X Slot (PCIE1X,PCIE4x_3)
COM	1x RS232(COM1, DB9/M) 3x RS232(COM2/5/6, BOx Header) 2x RS232/RS485(COM3/4,BOX Header)
USB[6]	2x USB2.0(Header, Internal) 1x USB2.0(TYPE-A,Internal) 6x USB3.0(TYPE-A, Rear Io)

<b>Other Ports</b>	8x GPIO 1x PS/2 Connector (Keyboard & Mouse) 1x Front Panel Header 2x System FAN Header 1x CPU FAN Header 1x SMBUS Header 1x Case Open Header 1x AT or ATX Select Jumper 1x Power LED Header
<b>TPM</b>	Supports onboard TPM 1.2/2.0(optional, not onboard by default)
<b>System</b>	Windows 10(64 bit),Linux
<b>Temperature</b>	Storage: -20~75°C Operating: 0~60°C
<b>BIOS</b>	AMI UEFI BIOS(Support Watchdog Timer)
<b>Power Supply</b>	ATX Standard (24P+8P) 1x ATX 8P CPU Power Input Connector 1x ATX 24P Power Input Connector
<b>Factor</b>	305mmx 220mm

Notes:

[1]: Inte® H420E supports two independent displays.Intel® Q470 support three independent displays.

[2]: The maximum memory frequency depends on CPU.

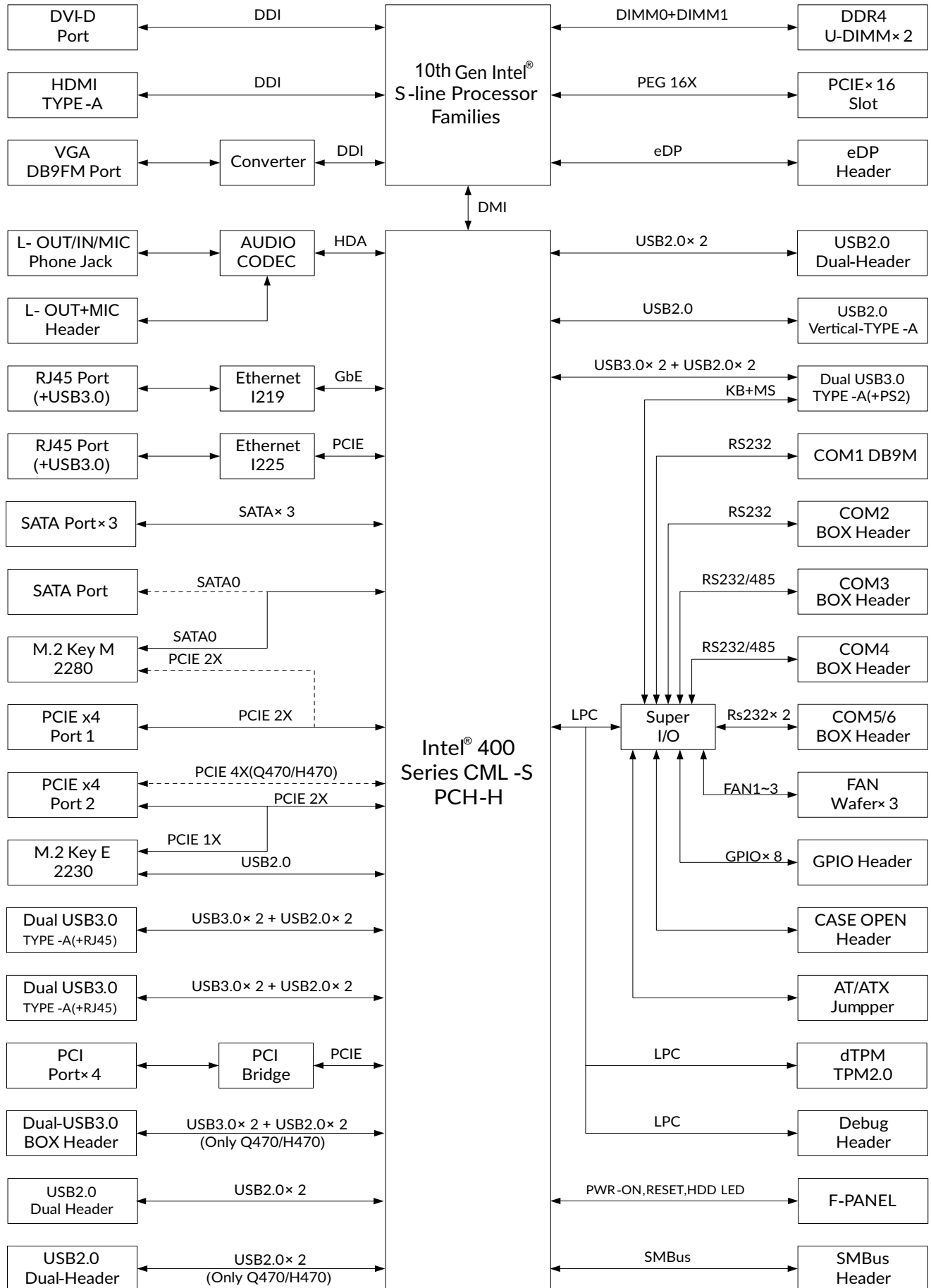
[3]:M2\_M\_PCIESSD1 and SATA1 share the same SATA3.0 signal, they can't be accessed simultaneously (supportM2\_M\_PCIESSD1 by default).And Q470 can support them both.

[4]: 1219-V doesn't support Intel® AMT 12.0 and Intel® vPro competent by default.




[5]:M2\_M\_PCIESSD1 and PCIE4X\_1 share PCIE 2x signal, they can't be accessed simultaneously (support PCIE4X\_1 by default).PCIE4X\_2 and M2\_E\_WLAN1 share PCIEsignal (support M2\_E\_WLAN1 by default). Q470 can supportM2\_E\_WLAN1and PCIE4X\_2(PCIE-x4) both.

[6]: H420E not support F\_USB3 and F\_USB2 by default.

## Functional Block Diagram



## Packing list

COM data cable (single port) DB9 (with iron plate) to 10P 2.54MM spacing pin (plug the 10th hole), with a total length of 40cm cross connection	5pcs/set	COM data cable	
SATA data cable 7P-7P 180 ° -180 ° with shrapnel at both ends, with a total length of 50cm yellow wire	1pcs/set	SATA data cable	
IO blocking SVIO-312 with three layers and 2.5mm aluminum foil foam for selection (2× RJ45)	1pcs/set	IQ blank	

## Ordering information

Product Model	Parameter
DMB-AH470	Intel® 10th Generation Core™ i3/i5/i7/i9 CPU, h470 Chipset, 1× PCIeX16, 2× PCIeX4, 4× PCI, 6× COM, 13× USB, 2× LAN