

Intel® Elkhart Lake Celeron®/Tiger Lake Core™ i5 Fanless Box Computer  
with 2x COM, 8x USB, 2x LAN

## Overview

NBC-1360 is an advanced industrial computer equipped with extensive I/O options, offering great flexibility and effortless Mini PCIe expansion capabilities. It boasts wide-input power ranges, wide temperature tolerances, and enhanced structural durability, making it an excellent choice for industrial applications.

## Features

- Intel® Elkhart Lake Celeron® J6412/Tiger Lake Core™ i5-1155G7 processor
- 2x COM (RS-232/485), 2x LAN, 8x USB, HDMI
- 1x 2.5" SATA HDD/SSD, 1x M.2 2280 NVME
- 1x Full length Mini PCIe



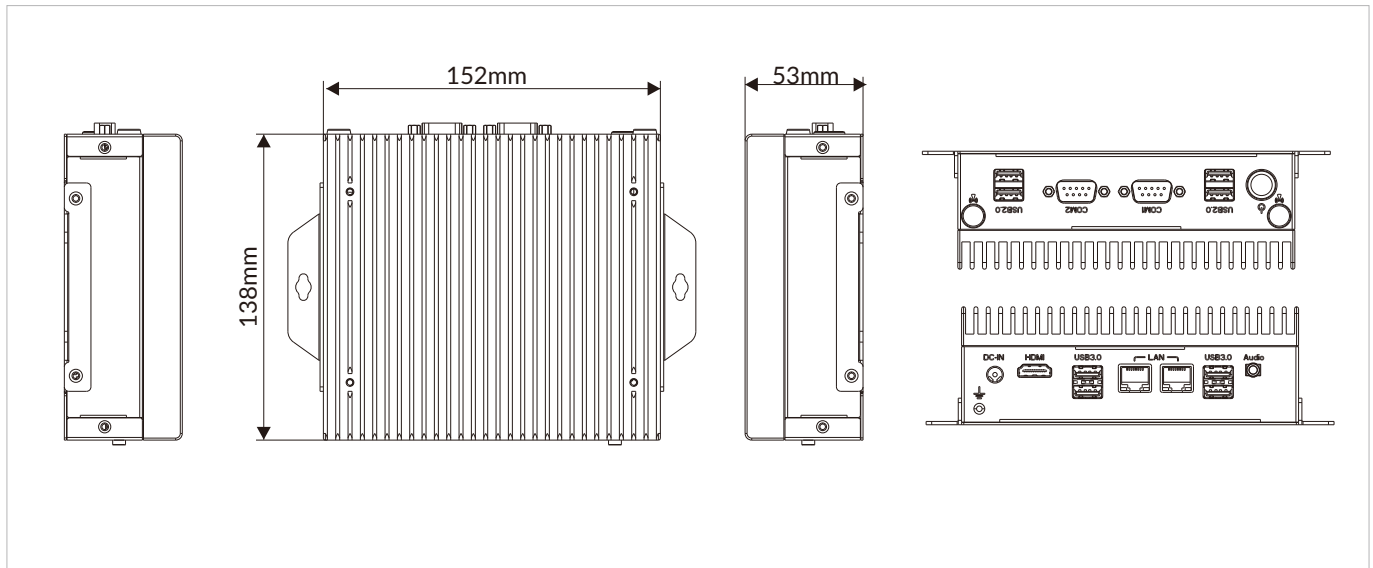
## I/O Interfaces



## Specifications

System	NBC-1360-J6412	NBC-1360-1155G7	NBC-1360-1155G7
CPU	Intel® Celeron® J6412 processor	Intel® Core™ i3-1155G4 processor	Intel® Core™ i5-1155G7 processor
CPU TDP	10W	12W	
Memory	1x DDR4 3200 MHz SO-DIMM up to 32GB		
Storage	1x 2.5" SATA HDD 1x M.2 2280 NVME		
BIOS	AMI UEFI		
Watchdog Timer	Software Programmable. Supports 256 levels system reset		
<b>I/O Ports</b>			
USB	4x USB 2.0, 4x USB 3.0		
Serial	2x COM (RS-232/485)		
Ethernet	2x RJ45 GbE Intel® I210AT		
Display	1x HDMI		
SIM Card Slot	1x SIM card slot (inside)		
Antenna	2x SMA antenna holes		
<b>Expansion Slot</b>			
Mini PCIe	1x Full length Mini PCIe		
M.2	1x M.2 2280 NVME		
<b>RF Communication</b>			
Wi-Fi	Mini PCIe expansion (optional)		
Cellular	Mini PCIe expansion (optional)		
Bluetooth	Mini PCIe expansion (optional)		
GNSS	Mini PCIe expansion (optional)		
<b>Audio</b>			
Audio	Mic in, line out		
<b>Power</b>			
Button	Yes		
DC Input	9-36VDC	12VDC	
Power Mode	AT/ATX		
<b>Operating System</b>			
Windows	Windows 10/11		
Linux	Ubuntu		
<b>Mechanical</b>			
Dimensions (W x D x H)	152x 138x 53mm (5.98 x 5.43 x 2.09 inches)		
Weight (N.W.)	1.3 kg (2.87 lbs)		
Mounting	Wall mount		
Material	Aluminum alloy		
<b>Environment</b>			
Operating Temperature	-10 to 60°C (14 to 140°F)		
Storage Temperature	-20 to 60°C (-4 to 140°F)		
Relative Humidity	10% to 95% @ 40°C (104°F), non-condensing		
<b>Certification</b>			
EMC	CE, FCC Class A		

## Dimensions



## Optional Accessories

Part No.	Description
A.02.001.000022	AC/DC power adaptor 60W 12V 5A
C.02.009.000039	AC/DC power adaptor 84W 12V 7A

## Ordering Information

Part No.	Description
NBC-1360-J6412	J6412 NBC with 2x COM (RS-232/485), 2x LAN, 8x USB, HDMI, 9~36VDC
NBC-1360-1155G7	1155G7 NBC with 2x COM (RS-232/485), 2x LAN, 8x USB, HDMI, 12VDC