

12.1" Windows Vehicle Mount Computer with 11th Gen Intel® Core™ i7/i5 Processor

Overview

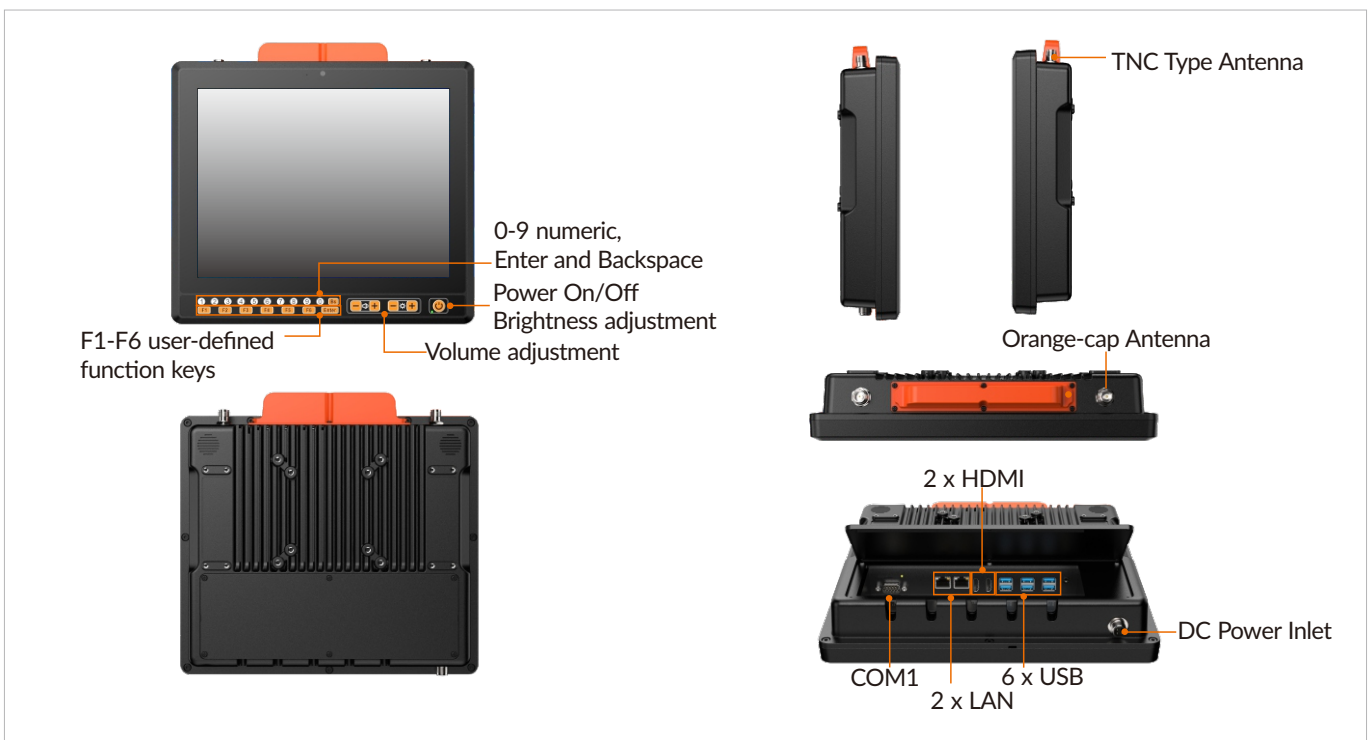
The VT-869 is a ruggedized vehicle-mounted computer powered by an 11th Gen Intel® Core™ i7/i5 processor and built with a 12.1-inch industrial resistive/capacitive touchscreen and numeric/function keys. It comes with Windows 11 operating system, ensuring compatibility with most applications and optimizing network management systems. The VESA 75 and 100 mounts make installation in forklifts, cranes, trucks easy, while flexible Wi-Fi 6E, Bluetooth V5.3, 4G LTE/5G, GNSS expansion options ensure always connected. Furthermore, it has an 8 to 36V wide-range DC input with power ignition function, allowing it to adapt to different power systems. It complies with the MIL-STD-810G military standards for shock and vibration resistance, and it is IP65 rated for protection against dust and water. The configuration of 1000-nit high brightness panel ensures excellent outdoor readability.

Features

- 12.1" TFT-LCD with resistive or projected capacitive touchscreen
- Front panel integrated with numeric and function key control
- Rugged aluminum enclosure and fanless design
- IP65 protection against water and dust
- Compliant with MIL-STD-810G vibration testing standards
- Wide range 8-36VDC power input with ignition control
- Flexible expansion capability for Wi-Fi 6E, Bluetooth 5.3, LTE, 5G, GPS, CAN2.0B



I/O Interfaces

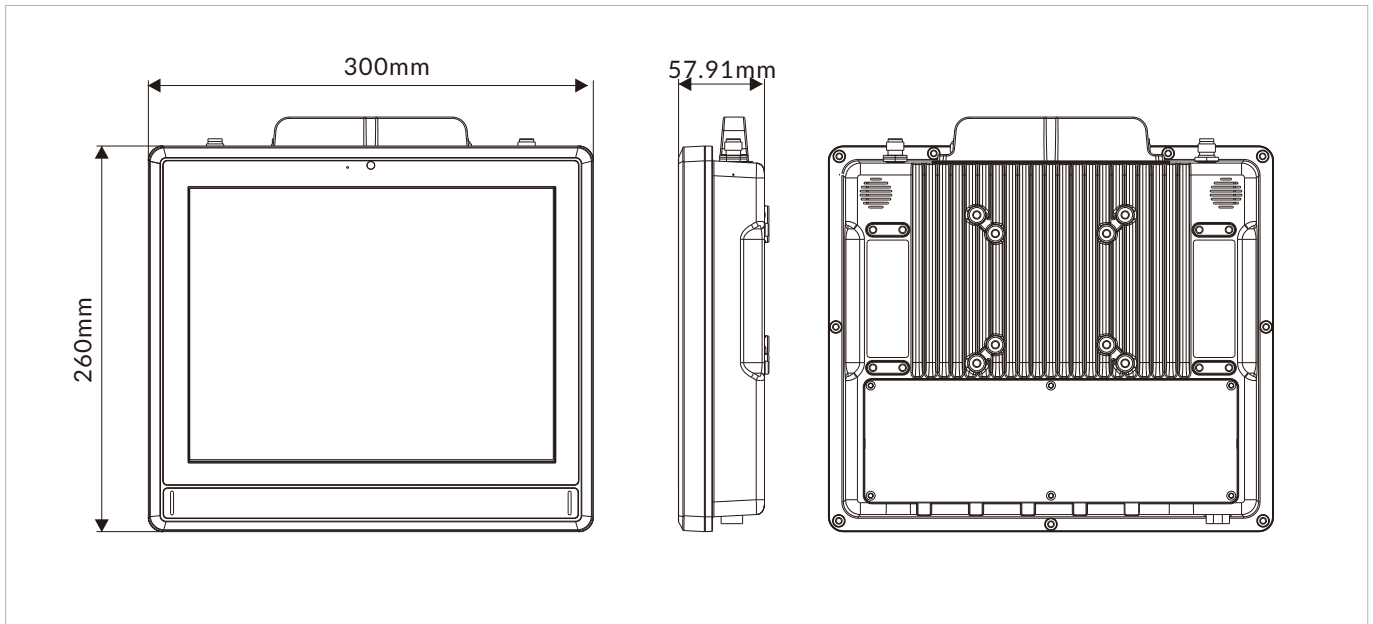


Specifications

Display	
Size	12.1 inch (4:3)
Touch Type	5-wire resistive touch, Projected capacitive multi touch
Display Type	TFT LCD
Resolution	1024 x 768
Luminance	1000 nits
Contrast Ratio	1000: 1
View Angles	85 (left), 85 (right), 85 (up), 85 (down)
Color	16.7M
System	
CPU	Intel® Core™ i5-1135G7, quad core (2.4 GHz) Intel® Core™ i7-1165G7, quad core (2.8 GHz) (optional)
Chipset	11th Gen Intel® Tiger Lake-UP3 Platform
Memory	8GB DDR4-2666 SO-DIMM (up to 16GB)
Storage	256GB M.2 SSD (up to 1TB)
Graphics	Intel® Iris® Xe Graphics
BIOS	AMI UEFI BIOS
Keypad & Keyboard	
Keyboard	Power on/off Brightness and volume adjustment 0-9 numeric, Enter and Backspace F1-F6 user-defined function keys Power LED indicator
I/O Ports	
USB	6x USB 3.0 (Type A)
Serial	1x RS-232 (COM1, DB9)
Ethernet	2x GbE LAN (RJ45)
Display	2x HDMI (Type A)
SIM Card Slot	1x SIM Socket
Antenna	2 to 8x TNC connector for external antenna (Wi-Fi, Bluetooth, WWAN, GPS)
RF Communication	
Wi-Fi	Wi-Fi 6E: 802.11a/b/g/n/ac/ax, 2.4G/5G/6G (optional)
Cellular	4G, LTE (optional) 5G, NSA/SA (optional)
Bluetooth	Bluetooth 5.3 (optional)
GNSS	GPS, GLONASS, Galileo, BeiDou (optional, Ublox NEO M8N)
Audio	
Audio	3.5mm Audio Jack (Mic-in/Line-out)
Speaker	8Ω/2W, dual studio speakers
Power	
DC Input	8 to 36VDC
Power Consumption	25W (Typ.)
Mode	ATX (default), AT
Operating System	
Windows	Windows 11 IoT Enterprise LTSC Windows 10 IoT Enterprise LTSC Windows 10 Pro

Mechanical	
Dimensions (W x D x H)	300 x 260 x 58 mm (11.8 x 10.24 x 2.28 inches)
Weight (N.W.)	3.8 kg (8.4 lbs)
Mounting Mode	VESA 75 and 100
Material	Die-casting aluminum with heavy duty metal
Environment	
Operating Temperature	-20 to 60°C (-4 to 140°F)
Storage Temperature	-40 to 70°C (-40 to 158°F)
Relative Humidity	95% @ 70°C (158°F), non-condensing
Shock	MIL-STD-810G Method 516.6 Procedure I
Vibration	MIL-STD-810G Method 514.6 Procedure I
IP Rating	IP65 compliant (I/O interface must be closed)
Certification	
EMC	CE, FCC

Dimensions



Optional Accessories

Part No.	Description
PWR836D512-M12	8-36VDC Input, 5V/12VDC Output, M12 connector

Ordering Information

Part No.	Description
VT-869-C101A-A001	VT-869 with Intel® Core™ i5-1135G7, 12.1" resistive touchscreen LCD, 8GB RAM(HIK), 128GB M.2(HIK), Wi-Fi 6E(AX210), Bluetooth(AX210), TNC(1)-WiFi_M, TNC(2)-Bluetooth
VT-869C-C101A-A001	VT-869 with Intel® Core™ i5-1135G7, 12.1" capacitive touchscreen LCD, 8GB RAM(HIK), 128GB M.2(HIK), Wi-Fi 6E(AX210), Bluetooth(AX210), TNC(1)-WiFi_M, TNC(2)-Bluetooth