

Modular Industrial Computer with 10th/11th Gen Intel® Core™ i3/i5/i7/i9, Pentium®, Celeron® Processor

Overview

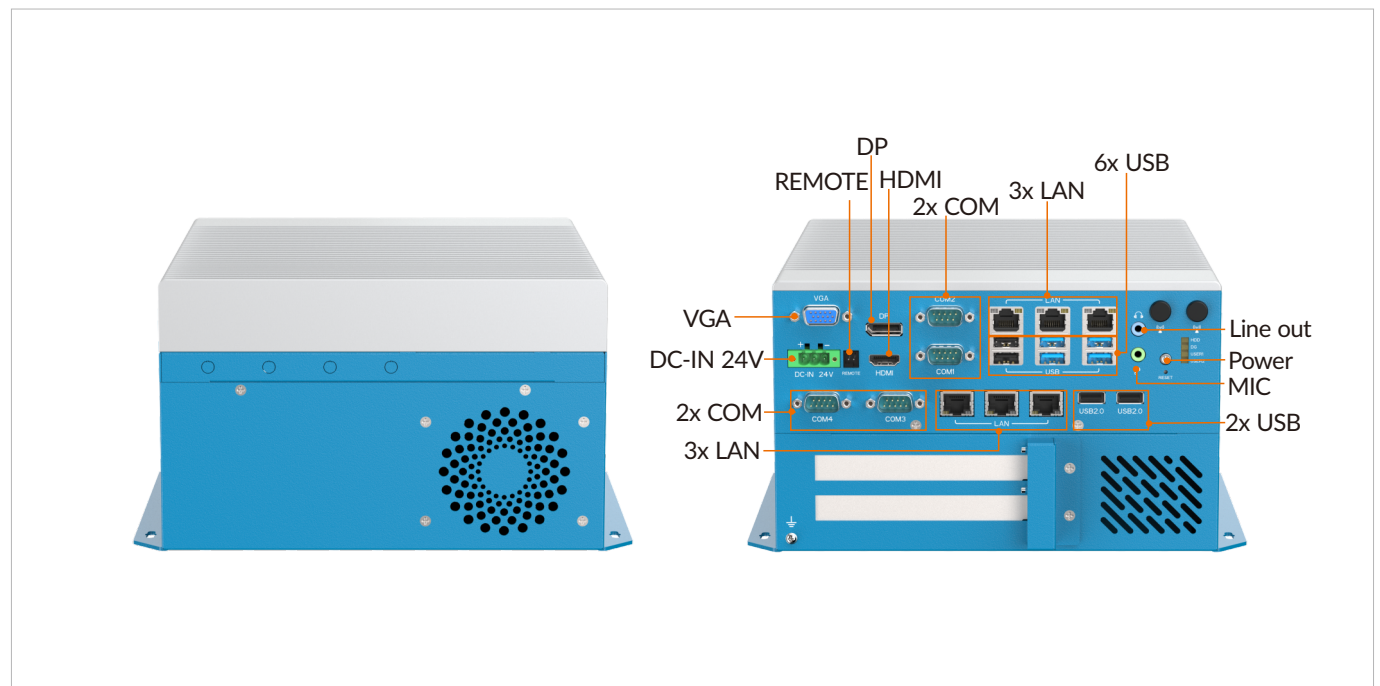
The MIC-8400 is a modular industrial computer with 10th/11th Gen Intel® Core™ i3/i5/i7/i9, Pentium®, and Celeron® processors. It offers extensive connectivity options, expansion capabilities, control interfaces, and flexible display configurations, making it a versatile and reliable choice for industrial applications.

Features

- 10th/11th Gen Intel® Core™ i3/i5/i7/i9, Pentium®, Celeron® Processor
- 4x COM, 6x LAN, 8x USB
- 1x PCIe , 1x PCI
- 1x DP, 1x VGA, 1x HDMI
- 2x M.2 M-Key 2280 ,1x M.2 E-Key 2230 ,1x M.2 B-Key 3052
- 24V DC power input



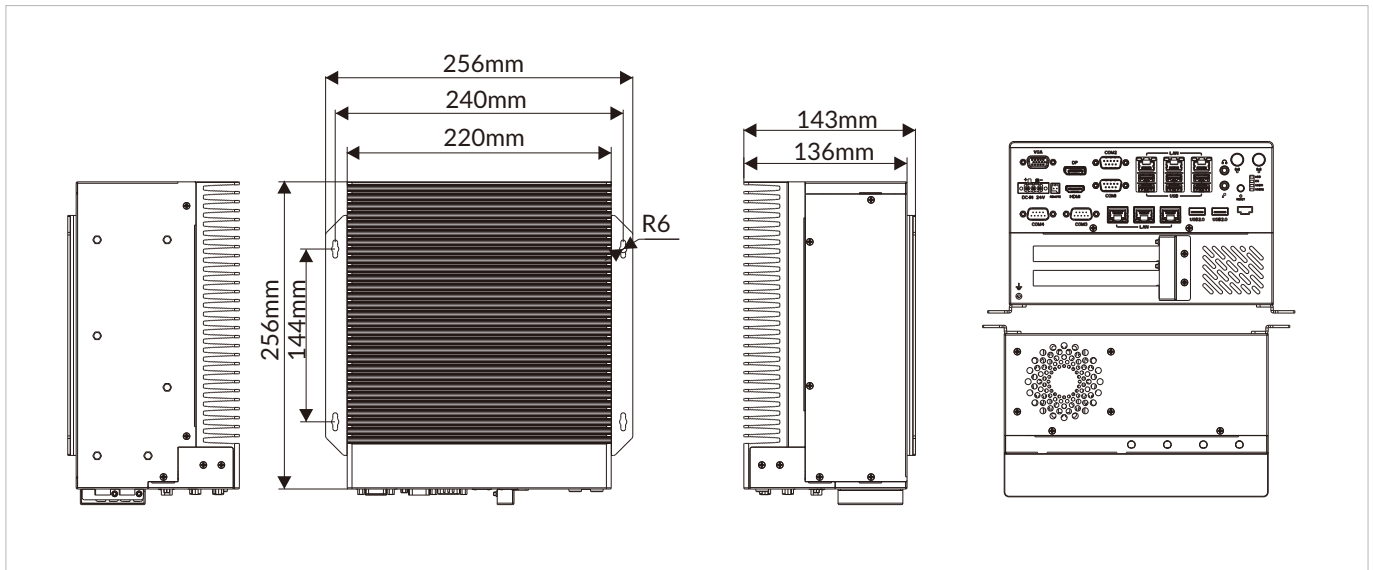
I/O Interfaces



Specifications

| | |
|-------------------------|--|
| System | |
| CPU | Comet lake S i3/i5/i7/i9 |
| CPU TDP | 65W |
| Chipset | H420E |
| Memory | 2x DDR4 SO-DIMM up to 64GB |
| Storage | 2x M.2 2280 SATA |
| BIOS | AMI 128Mbit SPI Flash |
| TPM | 1x SPI (optional) |
| Watchdog Timer | Software programmable supports 256 levels system reset |
| I/O Ports | |
| USB Port | 4x USB 2.0, 4x USB3.0 |
| Serial Port | 4x COM (1xRS-232/485, 1xRS-485, 2xRS-232) |
| Ethernet | 1x Intel® I219-LM, 5x Intel® I210-AT |
| Display Port | 1x DP, 1x VGA, 1x HDMI |
| SIM Card Slot | 1x SIM |
| Antenna Hole | 6x SMA-type |
| Expansion Slot | |
| PCI/PCIe | 1x PCI, 1x PCIe16 |
| M.2 | 2x M.2 M-Key 2280,1x M.2 E-Key 2230 ,1x M.2 B-Key 3052 |
| RF Communication | |
| Wi-Fi | 1x M.2 2230 E-Key (PCIe AxMac Wi-Fi 6) |
| Cellular | 1x M.2 3052 B-Key (USB3.0) |
| Bluetooth | 1x M.2 2230 E-Key (PCIe AxMac Wi-Fi 6) |
| GNSS | 1x M.2 3052 B-Key (USB3.0) |
| Audio | |
| Audio | Mic in, line out |
| Power | |
| Remote Power On/Off | 2-Pin remote |
| DC Input | 24VDC |
| Input Type | 1x 3-pin terminal block connector |
| Power Mode | AT/ATX |
| Operating System | |
| Windows | Windows 10, Windows 11 |
| Linux | Ubuntu |
| Mechanical | |
| Dimensions (WxDxH) | 220 x 256 x 136mm (8.66 x 10.08 x 5.35 inches) |
| Weight (N.W.) | 4.6kg (10.14 lb) |
| Mounting | Wall-mount |
| Material | Aluminum alloy |
| Environment | |
| Operating Temperature | -10 to 50°C (14 to 122°F, with SSD Airflow 0.7m/s) |
| Storage Temperature | -40 to 80°C (-40 to 176°F) |
| Relative Humidity | 10% to 95% (non-condensing) |
| Certification | |
| EMC | CE, FCC Class A |

Dimensions



Ordering Information

| Part No. | Description |
|----------|---|
| MIC-8411 | 6xLAN, 4xCOM, 8x USB, 1xPCI, 1xPCIex16, 1xDP, 1xVGA, 1xHDMI |