

Overview

The DPC-9150 series is a 15" fanless industrial panel PC based on the Intel® 12th Gen Core™ i / N97 / Celeron® processor. It features a modular design to allow easy CPU board or I/O board upgrades to fulfill customer needs. The DPC-9150 series offers low-power consumption, rich I/O connectivity, and Wi-Fi module expansion. It boasts a sleek design with an IP65 aluminum alloy front panel and a durable metal body, offering superior heat dissipation and high reliability for operation in harsh industrial environments. The DPC-9150 series is an excellent HMI platform for industrial applications and factory automation.

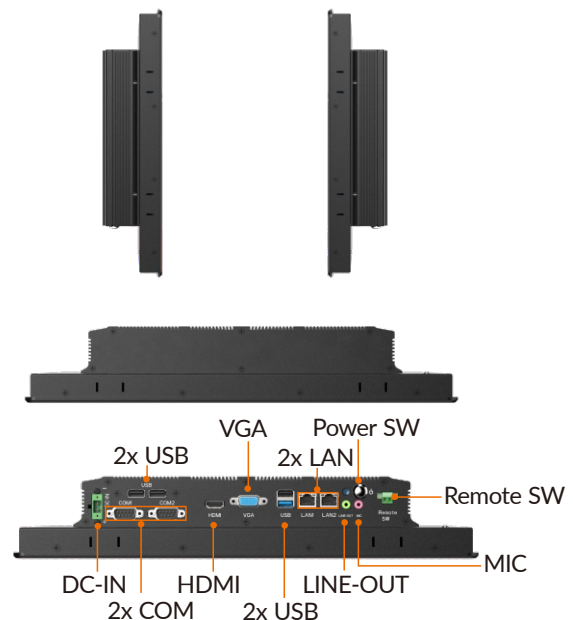
Features

- 15" LED-backlit LCD with capacitive or resistive touch screen
- Rugged aluminum enclosure and fanless design
- 12th Gen Intel® Core™ i / N97 / Celeron® processor
- 2x COM, 4x USB, 2x LAN, 1x VGA, 1x HDMI
- Supports Wi-Fi, 4G
- VESA 100 mount and panel mount compatibility
- IP65 compliant front panel

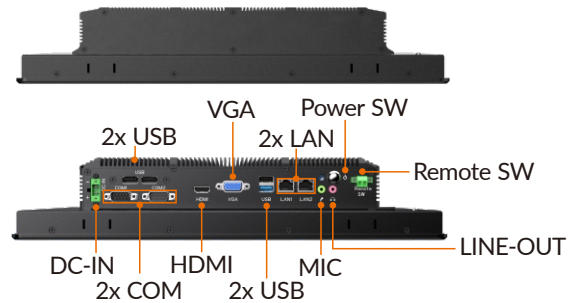
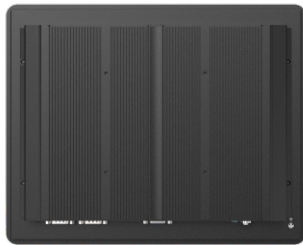


I/O Interfaces

J6412 / N97 / Core i5-1235U



Core i7-1255U



Specifications

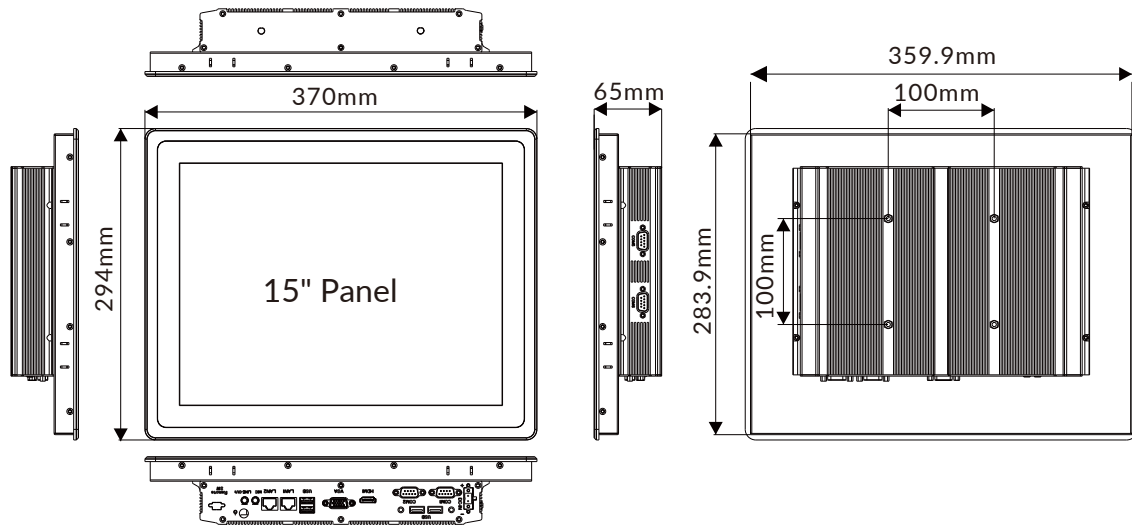
Display				
Size	15 inch			
Touch Type	Projected capacitive multi touch 5-wire resistive touch			
Transmittance	87% (capacitive) / 80% (resistive)			
Control Interface	USB			
Surface Hardness	≥7H/≥3H			
Resolution	1024 x 768			
Luminance	350 nits			
Contrast Ratio	1000: 1			
View Angles	89 (left), 89 (right), 89 (up), 89 (down)			
LED Lifetime	50,000 hrs			
Color	16.7M			
System				
CPU	Intel® Celeron® J6412 (2.0 GHz)	Intel® N97 (2.0GHz)	Intel® Core™ i5-1235U (1.3 GHz)	Intel® Core™ i7-1255U (1.7 GHz)
Memory	1x SO-DIMM DDR4-3200MHz, up to 16GB		2x SO-DIMM DDR4-3200MHz, up to 64GB	
Storage	1x 2.5" SATA HDD/SSD (optional) 1x full length Mini PCIe for mSATA SSD		1x M.2 2280 NVME SSD. 1x 2.5" SATA HDD/SSD (optional)	1x M.2 2280 NVME SSD. 1x full length Mini PCIe for mSATA SSD
I/O Ports				
USB	2x USB 3.0, 2x USB 2.0			
Serial	2x COM (COM1 supports RS-232, COM2 supports RS-232/422/485)			
Ethernet	2x GbE LAN			
Display	1x HDMI, 1x VGA			
SIM Card Slot	1x SIM slot for 4G (optional)			
Antenna	2x SMA antenna holes			

Specifications

Expansion Slot			
M.2	1x M.2 support M.2 2230 Wi-Fi 1x M.2 support M.2 2242/2252 4G/5G		
RF Communication			
Wi-Fi	M.2 expansion (optional)		
Cellular	M.2 expansion (optional)		
Bluetooth	M.2 expansion (optional)		
Audio			
Audio	Mic in, line out		
Speaker	2Ω5W speaker (optional)		
Power			
Button	M8		
Remote Power On/Off	1x Remote switch connector	AC-DC, 12V@7A, 84W	
DC Input	12VDC (9-36VDC optional)		
Power Connector	2-pin phoenix terminal		
Power Consumption	23W	25W	29W
Power Adaptor	AC-DC, 12V@5A, 60W		
Operating System			
Windows	Windows10/11		
Linux	Ubuntu		
Mechanical			
Dimensions (W x D x H)	370x 294x 65 mm (14.6 x 11.6 x 2.6 inches)		370x 294x 71 mm (14.6 x 11.6 x 2.8 inches)
Weight (N.W.)	4.2 kg (9.2 lbs)		
Mounting	Panel mount, wall mount bracket VESA 100		
Material	Aluminum alloy panel, all-metal chassis		
Environment			
Operating Temperature	-10 to 50°C (14 to 122°F)		
Storage Temperature	-20 to 60°C (-4 to 140°F)		
Relative Humidity	10% to 95% @ 40°C (104°F), non-condensing		
Vibration	5-500Hz, 0.026 G ² /Hz, 2.16 Grms, X, Y, Z, 1 hour per axis		
IP Rating	IP65 compliant (for front panel)		
Certification			
EMC	CE, FCC		
Packing List			
Packing	1x DPC-9150 8x panel mounting buckles 1x warranty card		

Dimensions

J6412 / N97 / Core i5-1235U



Core i7-1255U

