

Rugged Tablet Accessories

- Office docks and vehicle docks
- Vehicle chargers
- Hand straps and shoulder straps
- Batteries and other accessories



Office Docks

OD100M

Office Dock for RTC-M82/RTC-M102



- Charges both the tablet and a spare battery simultaneously, compatible with RTC-M82/RTC-M102
- I/O interface: USB 2.0x 2, RJ45 (10/100M)x 1, RS232 x 1
- 65W PD or 19V DC-IN (Type-C)
- Size: 160x 100x 95.7mm
- Weight: 300g

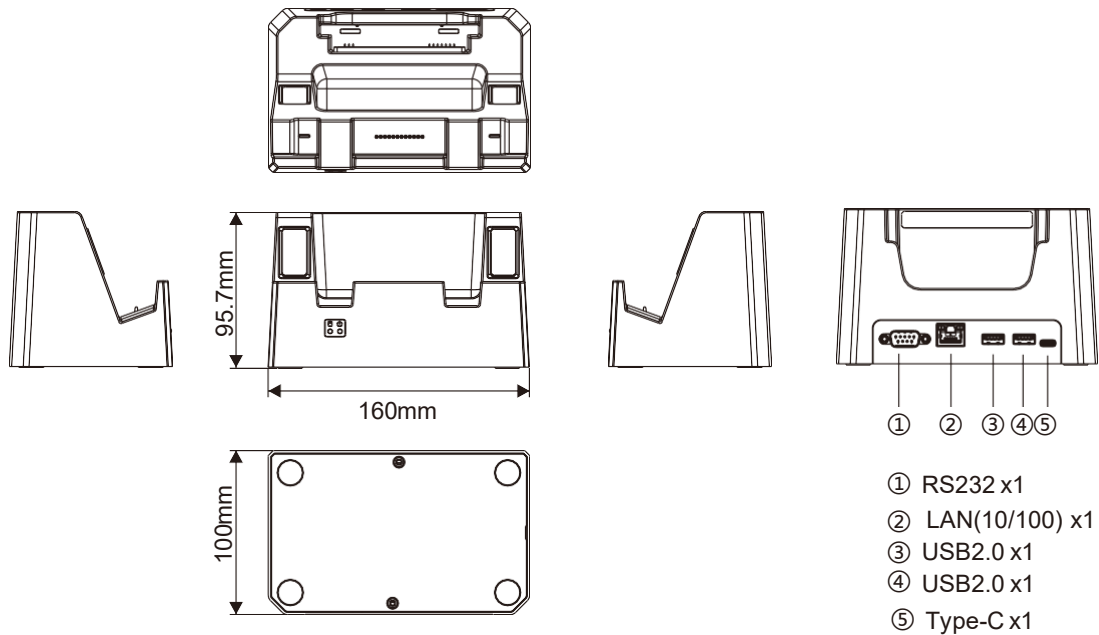
OD100I

Office Dock for RTC-I81/RTC-I101



- Charges both the tablet and a spare battery simultaneously, compatible with RTC-I82/RTC-I101
- I/O interface: USB 2.0x 2, RJ45 (10/100M)x 1, RS232 x 1
- 65W PD or 19V DC-IN (Type-C)
- Size: 160x 100x 95.7mm
- Weight: 350g

Dimensions



Office Docks

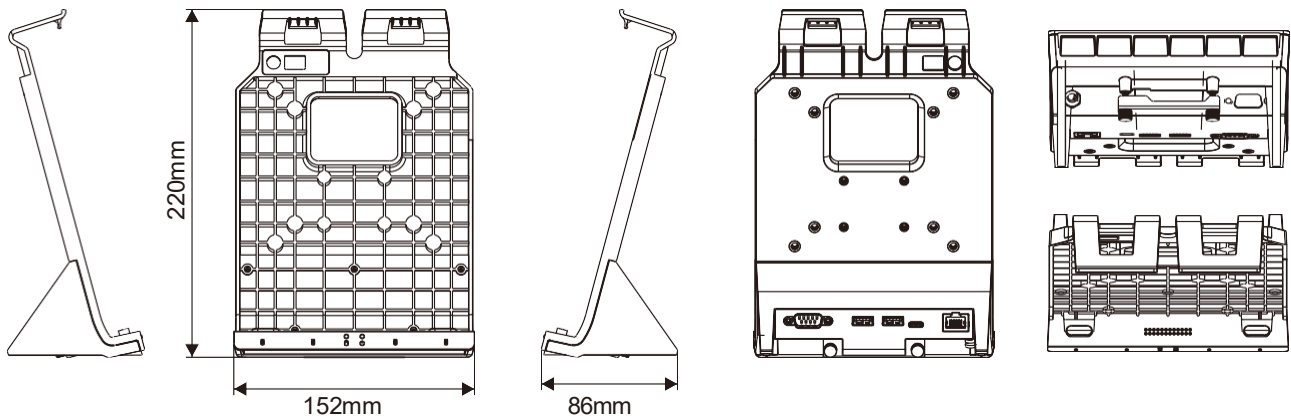
OD200

Office Dock for RTC-I116



- Charges for RTC-I116 tablet
- I/O interface: USB 2.0x 2, RJ45 (10/100M)x 1, RS232 x 1
- 65W PD or 19V DC-IN (Type-C)
- Size: 152x 86x 220mm
- Weight: 300g

Dimensions



Vehicle Docks

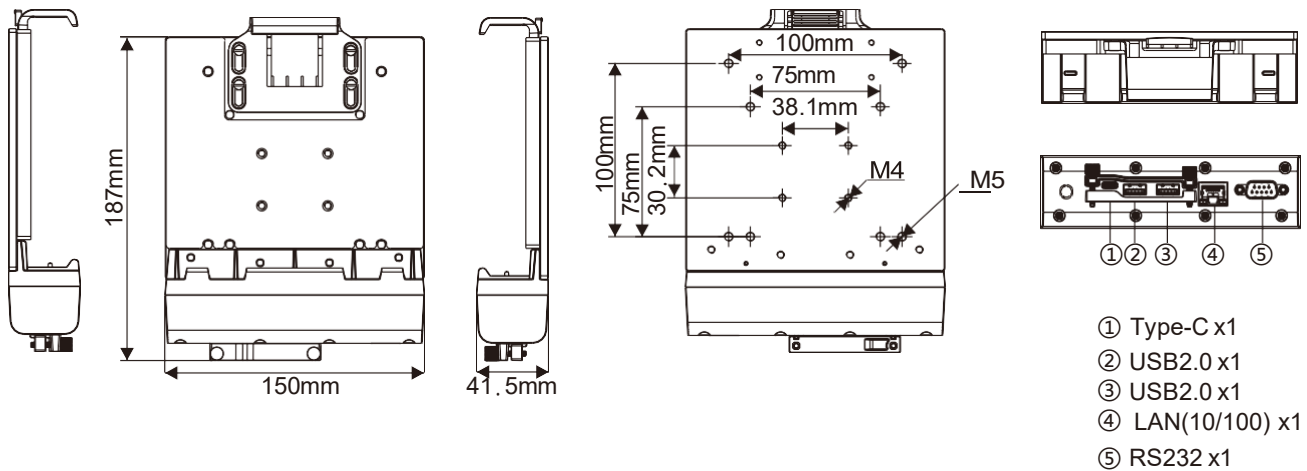
VD100S

Vehicle Dock for RTC-M82/RTC-I81



- Supports VESA 75x75 and 100x100, compatible with VESA standard brackets
- I/O interface: USB 2.0 x 2, RJ45 (10/100M) x 1, RS232 x 1
- 65W PD or 19V DC-IN (Type-C)
- Size: 150x 41.5x 198.3mm
- Weight: 450g

Dimensions



Vehicle Docks

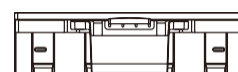
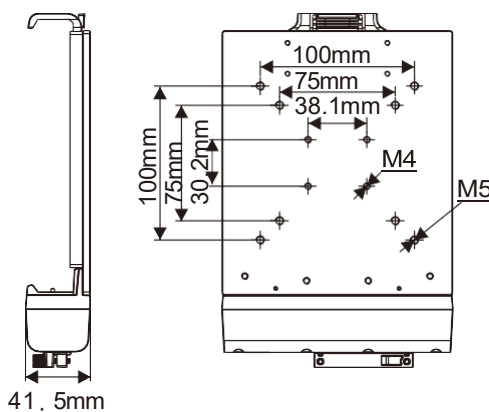
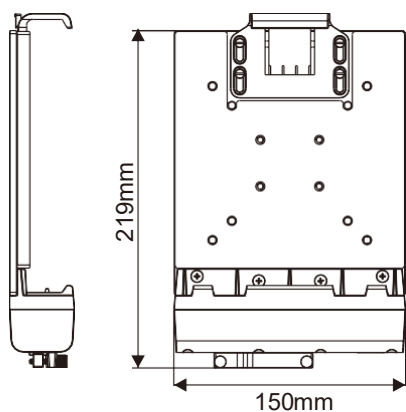
VD100L

Vehicle Dock for RTC-M102/RTC-I101



- Supports VESA 75x75 and 100x100, compatible with VESA standard brackets
- I/O interface: USB 2.0 x 2, RJ45 (10/100M) x 1, RS232x 1
- 65W PD or 19V DC-IN (Type-C)
- Size: 150x 41.5x 230.3mm
- Weight: 500g

Dimensions



① ② ③ ④ ⑤

- ① Type-C x1
- ② USB2.0 x1
- ③ USB2.0 x1
- ④ LAN(10/100) x1
- ⑤ RS232 x1

Vehicle Docks

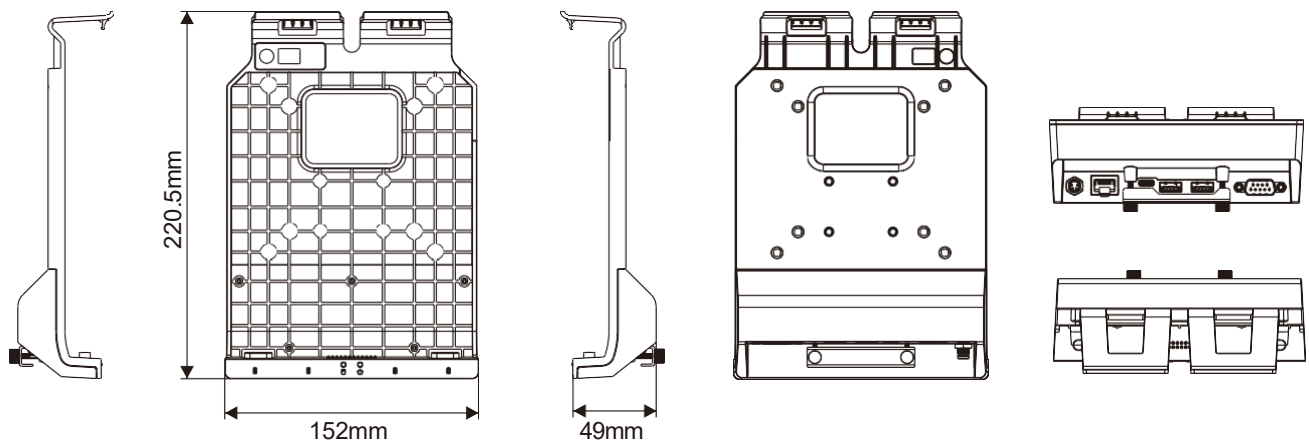
VD200

Vehicle Dock for RTC-I116



- Supports VESA 75x 75 and 100x 100, compatible with VESA standard brackets
- I/O interface: USB 2.0 x 2, RJ45 (10/100M) x 1, RS232 x 1
- 65W PD or 19V DC-IN (Type-C)
- Size: 152x 49x 220.5mm
- Weight: 250g

Dimensions



Vehicle Docks

RAM-101U-246

Mounting with 5.625" Double Socket Arm and VESA Base for VD100S/VD100L



- 120.65 mm/4.75" VESA base at both sockets
- 142.8 mm/5.625" double socket arm for 38 mm/1.5" ball base
- Flat 61.976 mm/2.44" diameter base with AMPS hole pattern
- Suitable products: VD100S/VD100L vehicle docks
- Weight: 700g

Straps

HS8

Hand Strap for RTC-M82/RTC-I81



- Hand strap kit for an 8" tablet, including screws
- Weight: 50g

HS10

Hand Strap for RTC-M102/RTC-I101



- Hand strap kit for a 10.1" tablet, including screws
- Weight: 50g

HS11

Hand Strap for RTC-I116



- Hand strap kit for an 11.6" tablet, including screws
- Weight: 50g

SS18

Shoulder Strap for All RTC series



- Shoulder strap kit, including screws
- Adjustable cross-body strap with pad
- Weight: 100g

Power

GTR65C-1

Adapter for OD100M/OD100I



- PD3.0 GaN 65W power adapter
- Input: 100-240V~50/60Hz,
- Output: 5V/3A, 9V/3A, 12V/3A, 15V/3A, 20V/3.25A (Type-C)
- Size: 62.3*59*31.4mm
- Weight: 100g

VC19D

Vehicle Charger for VD100S/VD100L



- Vehicle charger, wide voltage input
- 10-36V DC-IN (Bare wires)
- 19V/ 5A DC-OUT
- Input cable length: 0.12m
- Output cable length: 2m
- Weight: 290g

VC100W

Vehicle Charger for VD100S/VD100L



- Vehicle charger, PD100W max
- 12/24V DC-IN (Car cigarette lighter)
- 5/9/12/15/20V DC-OUT (Type-C)
- Input cable length: 0.6m
- Output cable length: 1.8m
- Weight: 200g

BT5000-2P

10,000mAh 3.8V Battery for RTC-M82/RTC-M102



- 3.8V, 10,000mAh Li-Polymer battery (38Wh)
- Size: 118.77*96*13.45mm
- Weight: 200g

Power

BT5000-2S

5,000mAh 7.6V Battery for RTC-I81/RTC-I101



- 7.6V, 5,000mAh Li-Polymer battery (38Wh)
- Size: 118.77*96*13.45mm
- Weight: 200g

BT3800-2S

3,800mAh 7.7V Battery for RTC-I116



- 7.7V, 3,800mAh Li-Polymer battery (29.26Wh)
- Size: 130*80*8.35mm
- Weight: 150g

BC2U

2-Bay Battery Charger for RTC-I116



- Charge two batteries at once with this 2-bay battery charger for RTC-I116
- 65W PD or 19V DC-IN (Type-C)
- Size: 150*108*24.12mm
- Weight: 150g

Others

Stylus01

Stylus with Tether



- Replacement capacitive stylus with tether
- length: 0.132m
- Weight: 20g

USB Cable-E434

USB Cable for RTC-I81/RTC-I101



- USB type C to type C power cable
- Length: 1m
- Weight: 50g