

Intel® Core™ i3/i5/i7 Processor Rugged Embedded Computer for Vehicle with 6x COM, 6x USB, 2x LAN

Overview

VC series are rugged vehicle computers launched by Darveen for mining and other industries. They are equipped with Intel® Core-I processor and pre-installed Windows operating system. It can fully utilize Microsoft Windows data processing capabilities in mobile vehicle and improve application and network management capabilities, while maintaining the flexibility and ease of use of multi-tasking applications.

Features

- 11/12th gen Intel® Core™ i3/i5/i7 processor
- Rugged aluminum enclosure and fanless design
- -20 to 70°C Operating Temp.
- 9 to 36V DC input/Ignition control (optional)
- Flexible expansion capability for WiFi, Bluetooth, LTE, GPS, CAN, DIO



Operating Temp.



Power Input



Fanless



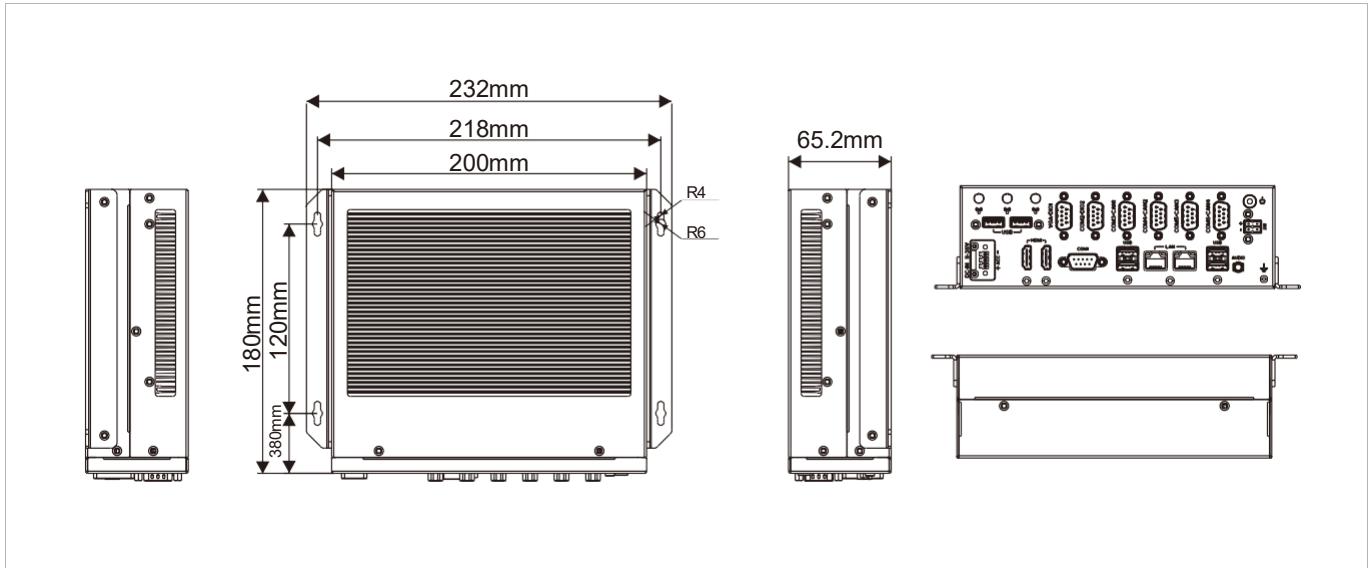
I/O Interfaces



Specifications

System			
CPU	Intel® Core™ i3-1115G4 /i7-1195G7	Intel® Core™ i3-1215U/ i5-1235U/i7-1255U	Intel® Core™ i3-1315U/ i5-1335U/i7-1355U
CPU TDP	15 to 55W		
Memory	1x DDR4 3200 MHz SO-DIMM up to 32GB		
Storage	1x 2.5"SATA HDD 1x M.2 2280 NVME, 1x MSATA		
BIOS	AMI UEFI		
TPM	BIOS		
Watchdog Timer	Software Programmable supports 256 levels system reset		
I/O Ports			
USB	2x USB 2.0, 4x USB 3.0		
Serial	6x RS-232(2x RS-232/485)		
Ethernet	2x RJ45 GbE LAN		
Display	2x HDMI, 1x VGA		
SIM Card Slot	1x SIM card slot (inside)		
DIO	16x Opto-isolated DIO (optional)		
CAN bus	4x CAN 2.0B (optional)		
Antenna	3x SMA antenna holes		
Expansion Slot			
Mini-PCle	1x Full length mini PCle,Half length mini PCle		
M.2	1x M.2 2280 NVME		
RF Communication			
Wi-Fi	Mini PCle(share with MSATA)		
Cellular	Mini PCle(share with MSATA)		
Bluetooth	Mini PCle(share with MSATA)		
GNSS	Mini PCle(share with MSATA)		
Audio			
Audio	Mic in, line out		
Power			
Button	Yes		
Remote Power On/Off	4-Pin Remote SW&Power LED		
DC Input	9-36VDC		
Ignition ON/OFF	ACC function (optional)		
Power Mode	AT/ATX		
Operating System			
Windows	Windows 10, windows 11		
Linux	Ubuntu		
Mechanical			
Dimensions (WxDxH)	200 x 180 x 65mm (7.87 x 7.09 x 2.56 inches)		
Weight (N.W.)	3kg (6.61lbs)		
Mounting Mode	Wall mount		
Material	Aluminum alloy		
Environment			
Operating Temperature	-20 to 70°C (-4 to 158°F)		
Storage Temperature	-40 to 85°C(-40 to 185°F)		
Relative Humidity	10% to 95% @40°C (104°F), non-condensing		
Certification			
EMC	CE, FCC Class A		
Vibration	Operating: MIL-STD 810H Method 514.8		
Shock	Operating: MIL-STD 810H Method 516.8		

Dimensions



Ordering Information

Part No.	Description
VC-2300-1115G4	i3-1115G4 VC-2300 with 6x COM, 2x LAN, 6x USB, 2x HDMI, 1xVGA, Power adapter
VC-2300-1155G7	i5-1155G7 VC-2300 with 6x COM, 2x LAN, 6x USB, 2x HDMI, 1xVGA , Power adapter
VC-2300-1195G7	i7-1195G7 VC-2300 with 6x COM, 2x LAN, 6x USB, 2x HDMI, 1xVGA , Power adapter
VC-2300-1215U	i3-1215U VC-2300 with 6x COM, 2x LAN, 6x USB, 2x HDMI, 1xVGA, Power adapter
VC-2300-1235U	i5-1235U VC-2300 with 6x COM, 2x LAN, 6x USB, 2x HDMI, 1xVGA, Power adapter
VC-2300-1255U	i7-1255U VC-2300 with 6x COM, 2x LAN, 6x USB, 2x HDMI, 1xVGA, Power adapter
VC-2300-1315U	i3-1315U VC-2300 with 6x COM, 2x LAN, 6x USB, 2x HDMI, 1xVGA, Power adapter
VC-2300-1335U	i5-1335U VC-2300 with 6x COM, 2x LAN, 6x USB, 2x HDMI, 1xVGA, Power adapter
VC-2300-1355U	i7-1355U VC-2300 with 6x COM, 2x LAN, 6x USB, 2x HDMI, 1xVGA, Power adapter