

## 27" Marine Panel PC with 12th/10th Gen Intel® Core™ I Processor

### Overview

MP-270 is a fanless 27-inch marine Panel PC, powered by 12th/10th generation Intel® Core™ i5/i7 Processor, used for high-performance computing. It adopts a modular design, which facilitates CPU board or I/O board upgrades and ensures stable system structure and reliable industrial performance. Adopting a large-sized and high specification display screen, a multi-point touch capacitive screen, and optional AG AF treatment on the glass surface, combined with the front panel brightness adjustment knob, it is more suitable for ship applications. The aluminum alloy front panel, metal body, and excellent heat dissipation performance ensure that the electromagnetic compatibility design of the entire machine complies with the ship's electrical specifications.

### Features

- 27" LED-backlit LCD with capacitive touch screen
- Optional AG AF glass surface treatment
- Rugged aluminum enclosure and fanless design
- 12th Gen Intel® Core™ i5/i7 processor
- DC 12V/ DC 9~36V
- Supports VESA 100 mount and panel mount
- Front panel integrated switch, brightness adjustment knob
- IP65 compliant front panel



Operating Temp.



IP65

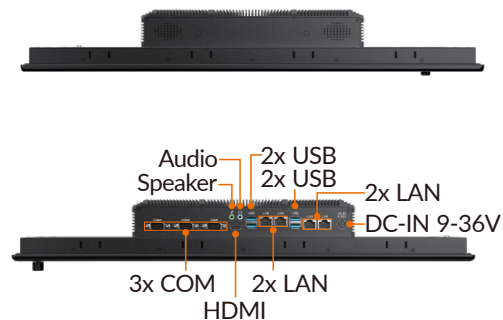


Touch Display



### I/O Interfaces

10th Gen Core i7/i5



## I/O Interfaces

12th Gen Core i7/i5



## Specifications

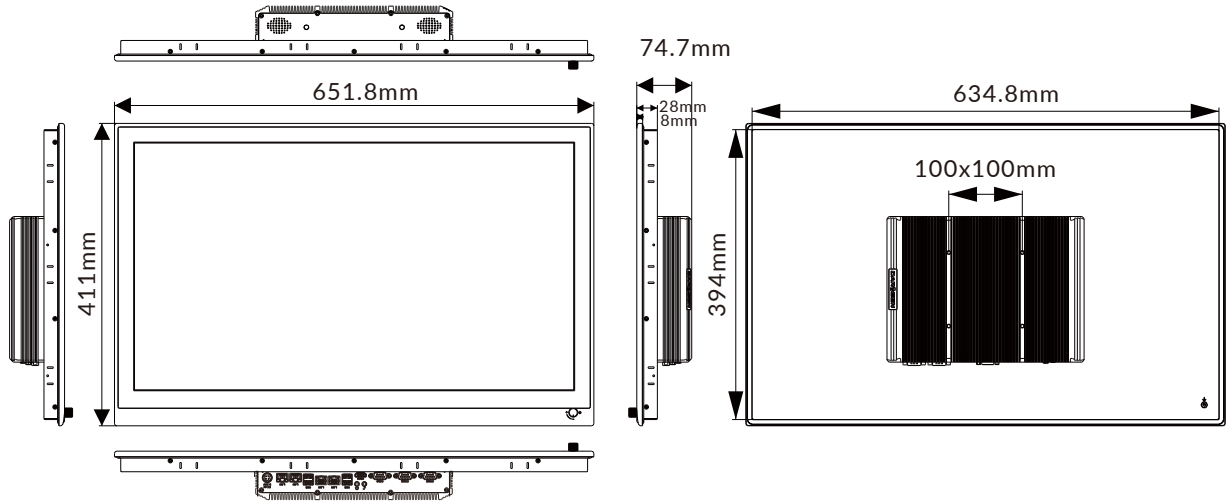
Display				
Size	27 inch			
Touch Type	Multi touch capacitive screen			
Display Type	TFT-LCD			
Transmittance	87% (capacitive)			
Control Interface	USB			
Surface Hardness	≥7H			
Resolution	1920 x 1080			
Luminance	300 nits			
Contrast Ratio	1000: 1			
View Angles	89 (left), 89 (right), 89 (up), 89 (down)			
LED Lifetime	40,000 hrs			
Color	16.7M			
System				
CPU	Intel® Core™ i5-10210U (1.6 GHz)	Intel® Core™ i7-10710U (1.1 GHz)	Intel® Core™ i5-1235U (1.3 GHz)	Intel® Core™ i7-1255U (1.7 GHz)
Memory	2x DDR4 2666 SO-DIMM (up to 64GB)		2x DDR4 3200 SO-DIMM (up to 64GB)	
Storage	1x 2.5" SATA HDD/SSD (opDonal) 1x full length Mini PCIe for mSATA SSD		1x 2.5" SATA HDD/SSD (optional) 1x M.2 2280 NVME SSD	

## Specifications

I/O Ports		
USB	4x USB 3.0	2x USB 3.0, 2x USB 2.0
Serial	3x COM (COM1 supports RS-232, COM2 and COM3 support RS-232/422/485)	2x COM (COM1 supports RS-232, COM2 supports RS-232/422/485)
Ethernet	4x GbE LAN	2x GbE LAN
Display	1x HDMI	1x HDMI, 1x VGA
Antenna	1x SIM slot for 4G (optional), 2x SMA antenna holes	
Expansion Slot		
Mini PCIe	1x full length Mini PCIe for Wi-Fi 1x full length Mini PCIe for mSATA	1x M.2 support M.2 2230 Wi-Fi 1x M.2 support M.2 2242/2252 4G/5G
RF Communication		
Wi-Fi	Mini PCIe expansion (opDonal)	M.2 expansion (optional)
Cellular	Mini PCIe expansion (opDonal)	M.2 expansion (optional)
Bluetooth	Mini PCIe expansion (opDonal)	M.2 expansion (optional)
Audio		
Audio	Mic in, line out	
Speaker	2Ω5W speaker (optional)	
Power		
Button	Yes	
Remote Power On/Off	N/A	
DC Input	9 to 36VDC	12VDC (9-36VDC optional)
Power Connector	4Pin	2Pin
Power Consumption	27W	29W
Ignition On/Off	1x AC loss	N/A
Power Adaptor	AC-DC, 12V@7.5A, 84W	
Operating System		
Windows	Windows 10, Windows 11	
Mechanical		
Dimensions (W x D x H)	651.8 x 411 x 74.7 mm (25.7 x 16.1 x 2.9 inches)	
Weight (N.W.)	9.8 kg (22 lbs)	
Mounting	Panel mount, wall mount bracket VESA 100	
Material	Aluminum alloy panel, all-metal chassis	
Environment		
Operating Temperature	-10 to 50°C (14 to 122°F)	
Storage Temperature	-20 to 60°C (-4 to 140°F)	
Relative Humidity	10% to 95% @ 40°C (104°F), non-condensing	
Vibration	5 to 500Hz, 0.026 G <sup>2</sup> /Hz, 2.16 Grms, X, Y, Z, 1 hour per axis	
IP Rating	IP65 compliant (for front panel)	
Certification		
EMC	CE, FCC	
Packing List		
Packing List	1x MP-270 14x panel mounting buckles 1x warranty card	

## Dimensions

### 10th Gen Core i7/i5



### 12th Gen Core i7/i5

