

10.1" Android Rugged Tablet with MediaTek MT8781 Octa-core Processor

Overview

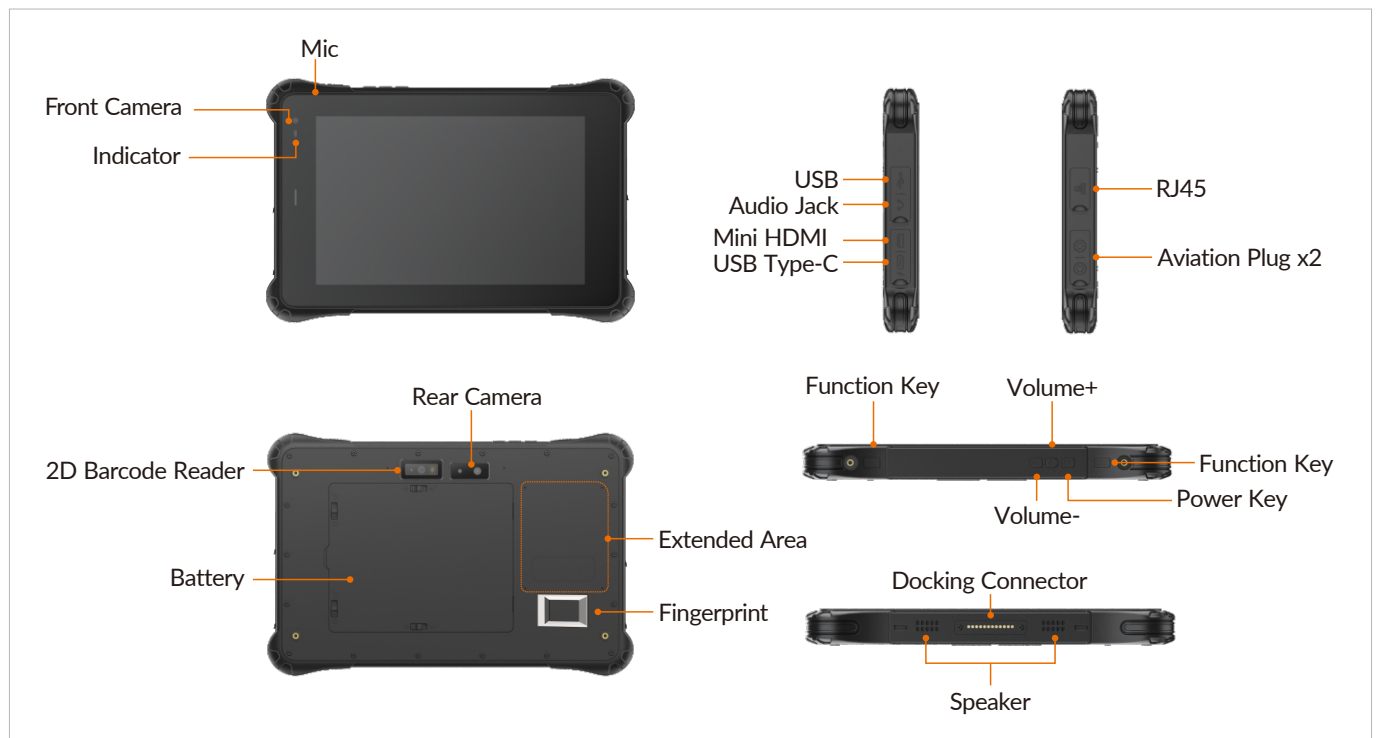
The RTC-M102 features an 10.1-inch touchscreen and a high-performance MediaTek MT8781 processor, delivering smooth and seamless operation with low power consumption. Running Android 16 and equipped with a wide range of features including NFC and optional 1D/2D barcode reader and RFID module, it helps field workers boost productivity and efficiency. Its 700-nit display ensures clear visibility even under direct sunlight. MIL-STD-810H certified and IP67 rated, the RTC-M102 is built for field mobility, public safety, energy inspection, and logistics and warehouse applications in extreme environments.

Features

- MediaTek MT8781 Octa-core processor, Android 16 operating system
- 10.1" TFT LCD, 1280 × 800 resolution (optional 1920 x 1200)
- Supports NFC. With optional 1D/2D barcode reader, RFID module, and fingerprint reader
- Supports 4G, WLAN, BT, and GNSS
- Rich I/O interfaces including: RS-232, RJ45 Ethernet, USB
- Removable high-capacity 10,000 mAh battery
- IP67 and MIL-STD-810H certified



I/O Interfaces

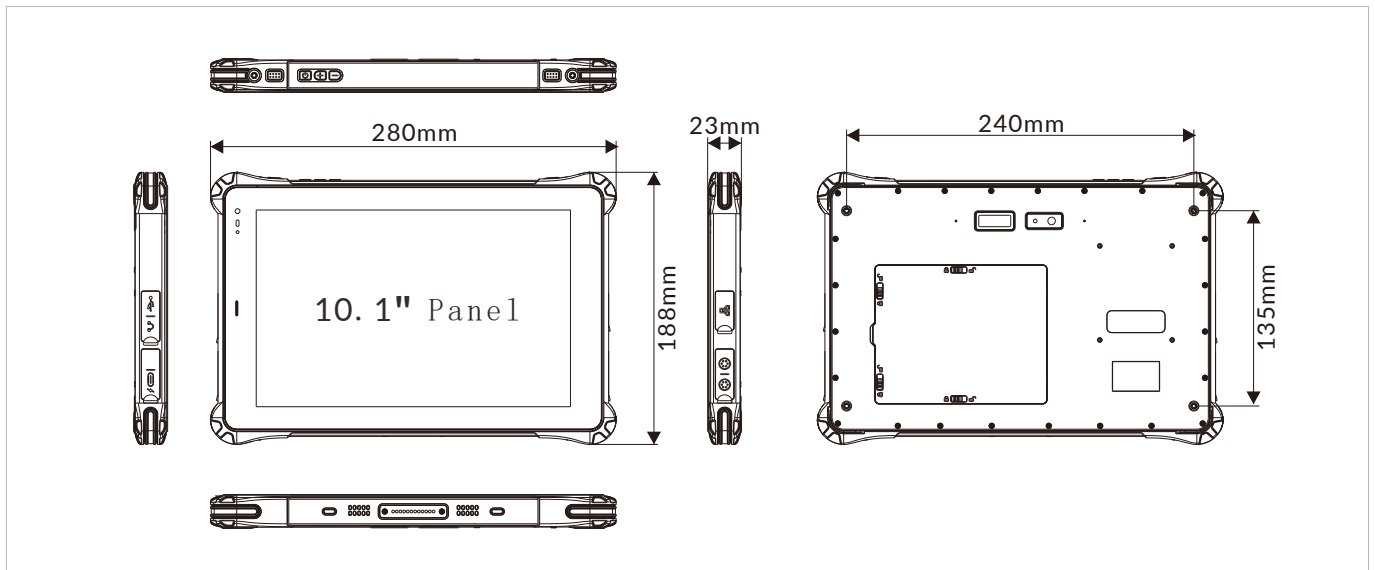


Specifications

Display	
Size	10.1 inch
Touch Type	G+G Capacitive multi-touch screen, gorilla glass, hardness 7h
Resolution	1280 x 800 (optional 1920 x 1200)
Luminance	700 nits (1200 x 800); 500 nits (1920x1200)
Contrast Ratio	1000: 1
View Angles	85 (left), 85 (right), 85 (up), 85 (down)
Color	16.7M
System	
CPU	MediaTek MT8781, ARM Cortex-A76 Dual-core 2.2 Ghz,ARM Cortex-A55 Hexa-core 2.0GHz
Memory	8GB
Storage	128GB
Graphics	ARM Mail-G57
Camera	Front: 5MP fixed-focus camera Rear: 13MP autofocus camera with flash
Sensor	Compass, Gyroscope, G-sensor, Light sensor
Keypad & Keyboard	
Button	1x Power button, 1x Volume+, 1x Volume -, 2x Barcode scan keys
I/O Ports	
USB	1x USB 2.0 Type A 1x USB 2.0 Type C (supports power charging and data transfer)
Ethernet	1x RJ45 10/100M
Display	1x Mini HDMI
Audio	1x 3.5mm audio combo jack
SIM Card Slot	1x Micro SIM card slot
TF Card Slot	1x TF card slot, up to 256GB
Aviation Plug (optional)	2x Aviation plug (choose two out of three from USB, RS232 or DC-in)
Docking Connector	1x 12-Pin
RF Communication	
Wi-Fi	Wi-Fi 802.11 (a/b/g/n/ac), dual band (2.4G + 5.0G)
Cellular	GSM: B2/B3/B5/B8 WCDMA: B1/B2/B5/B8 CDMA2000: BC0/BC1 FDD: B1/B2/B3/B4/B5/B7/B8/B17/B20/B28A/B28B TDD: B34/B38/B39/B40/B41
Bluetooth	BT5.2 (BLE) Class 1
GNSS	GPS, GLONASS, BeiDou
Data Collection	
NFC	13.56MHz, supports ISO/IEC 14443A/14443B/15693/18092/mifare
RFID (Optional)	UHF RFID,supports PR9200
Barcode Reader (Optional)	1D, 2D barcode reader
Fingerprint (Optional)	FBI/ISO/GA certification
Audio	
Speaker	8Ω/1W, dual stereo speakers
MIC	Built-in microphone
Power	
Power Adapter	Input AC:100-240V 50/60HZ 0.5A MAX. Output DC: 5V 3A
Battery	Removable lithium-ion polymer battery, 3.8V 10000mAh
Battery Life	8 hours
Operating System	
Android	Android 16

Mechanical	
Dimensions (W x D x H)	280 x 188 x 23mm (11.02 x 7.40 x 0.91 inches)
Weight (N.W.)	1150g (2.54 lbs)
Environment	
Operating Temperature	-10 °C to 50 °C (14 to 122°F)
Storage Temperature	-20 °C to 60 °C (-4 to 140°F)
Relative Humidity	95% @ 40°C (104°F), non-condensing
Vibration	MIL-STD-810H: 2022 method 514.8 procedure I
Drop	MIL-STD-810H: 2022 method 516.8 procedure IV, 4ft
IP Rating	IP67
Certification	
EMC	CE, FCC
Packing List	
Packing	1x RTC-M102, 1x battery, 1x hand strap, 1x power adapter

Dimensions



Optional Accessories

Part No.	Description
SS18	Shoulder strap
HS8	Hand strap