

## 10.4" Windows Vehicle Mount Computer with 12th Gen Intel® Core-i Processor

### Overview

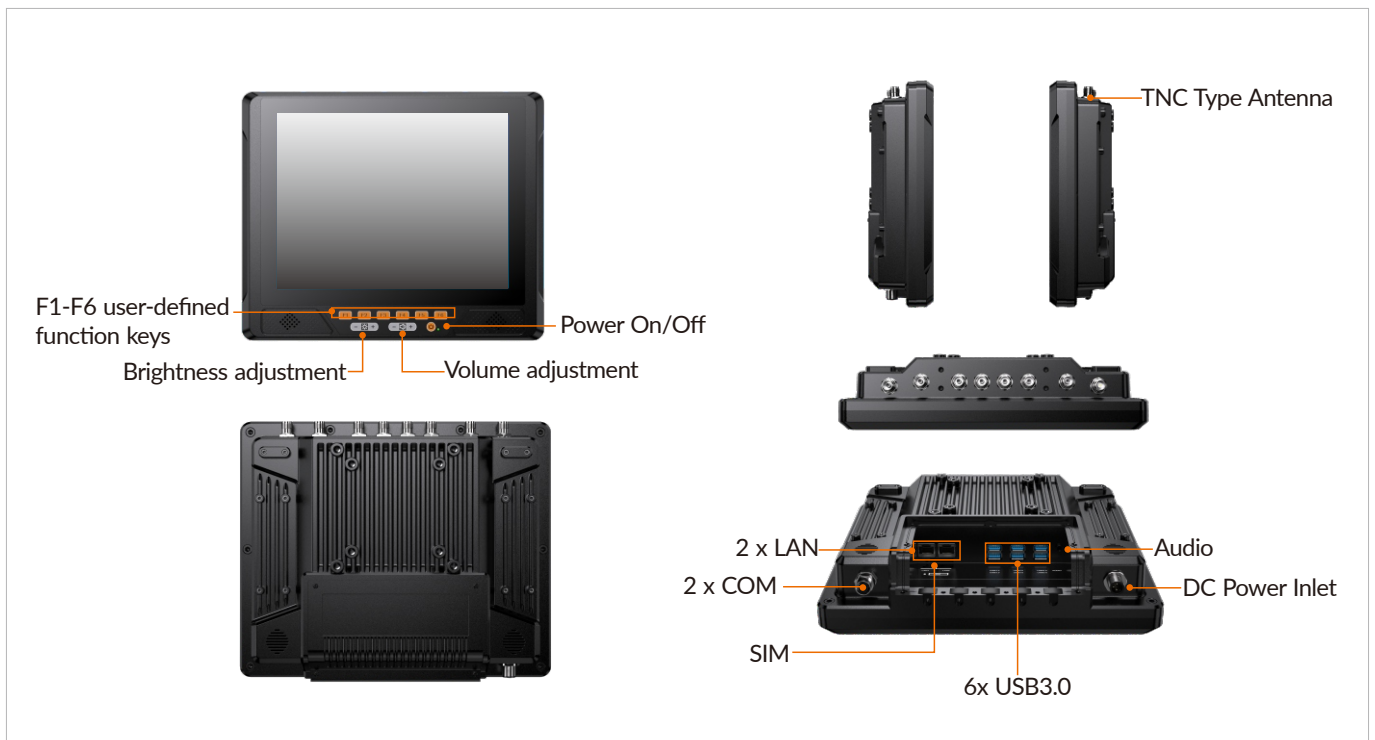
The VT-779 is a ruggedized vehicle-mounted computer with Intel® Core i5-1235U processor and Windows 11 OS, offering full Windows computing power in a mobile environment. It features a 10.4-inch industrial touch screen, WiFi 6E, Bluetooth 5.3, 4G/5G, GNSS, and 8 to 36V DC input, making it suitable for warehousing, logistics, and container trucks. It meets MIL-STD-810H for anti-shock/vibration and IP65 for dust/water resistance, allowing operation in demanding environments.

### Features

- 10.4" TFT-LCD with projected capacitive touchscreen
- Front panel integrated function keys
- Rugged aluminum enclosure and fanless design
- IP65 protection against water and dust
- Compliant with MIL-STD-810H vibration testing standards
- Wide range 8 to 36VDC power input
- Flexible expansion capability for Wi-Fi 6E, Bluetooth 5.3, LTE, 5G, GNSS



### I/O Interfaces

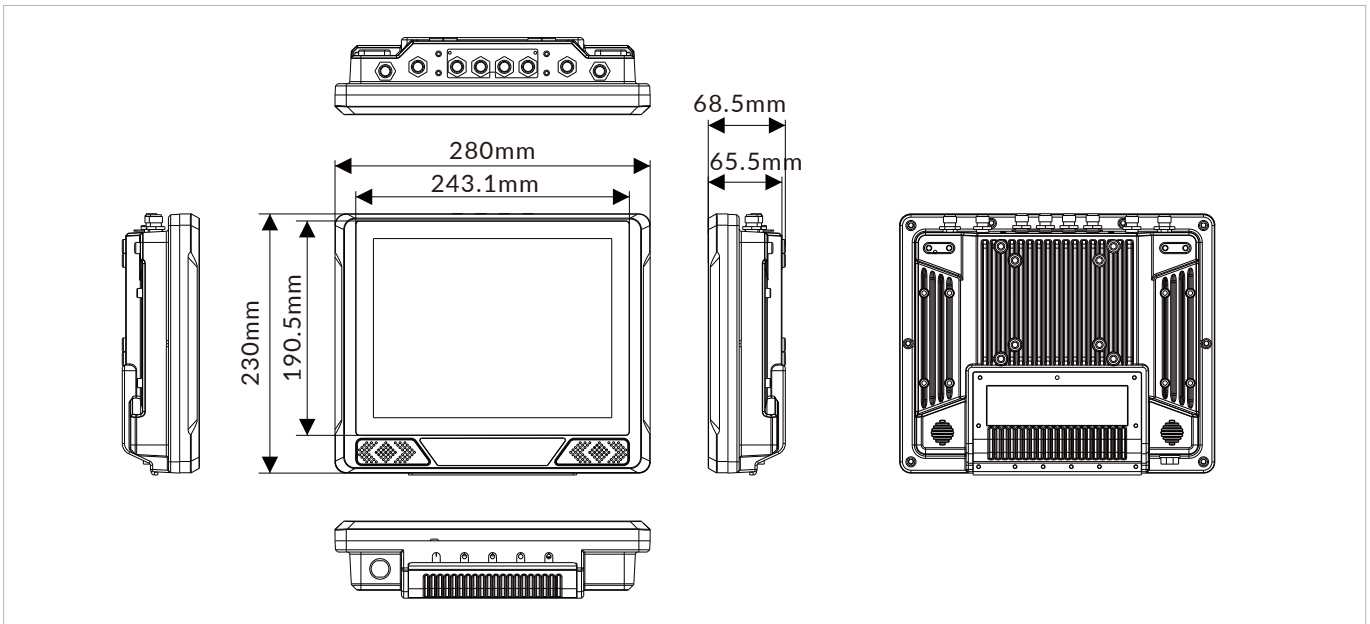


## Specifications

<b>Display</b>	
Size	10.4 inch (4:3)
Touch Type	Projected capacitive multi touch
Display Type	TFT LCD
Resolution	1024 x 768
Luminance	600 nits
Contrast Ratio	1000: 1
View Angles	80 (left), 80 (right), 80 (up), 80 (down)
Color	16.7M
<b>System</b>	
CPU	Intel® Core i5-1235U, Intel 7, 10-core (2P8E), Max Turbo 4.4GHz
Chipset	12th Gen Intel® Alder Lake Platform
Memory	1x DDR4-2666 SO-DIMM (up to 32GB)
Storage	1x M.2 2280 SATA SSD (up to 2TB)
Graphics	Intel® Iris® Xe Graphics
BIOS	AMI UEFI BIOS
<b>Keypad &amp; Keyboard</b>	
Keyboard	Power on/off Brightness and volume adjustment F1-F6 user-defined function keys Power LED indicator
<b>I/O Ports</b>	
USB	6x USB 3.0 (Type A)
Serial	2x RS-232 (COM1/2, M12)
Ethernet	2x GbE LAN (RJ45)
Audio	3.5mm Audio Jack (Mic-in/Line-out)
SIM Card Slot	1x SIM Socket
Antenna	2 to 8x TNC connector for external antenna (Wi-Fi, Bluetooth, WWAN, GPS)
<b>RF Communication</b>	
Wi-Fi	Wi-Fi 6E: 802.11a/b/g/n/ac/ax, 2.4G/5G/6G (optional)
Cellular	4G, LTE (optional) 5G, NSA/SA (optional)
Bluetooth	Bluetooth 5.3 (depends on Wi-Fi 6E, optional)
GNSS	GPS, GLONASS, Galileo, BeiDou (optional, Ublox NEO M8N)
<b>Audio</b>	
Speaker	8Ω/2W, dual studio speakers
<b>Power</b>	
DC Input	8 to 36VDC
Power Consumption	25W (Typ.)
Power Mode	ATX (default), AT
<b>Operating System</b>	
Windows	Windows 11 IoT Enterprise LTSC Windows 10 IoT Enterprise LTSC Windows 11 Pro Windows 10 Pro

Mechanical	
Dimensions (W x D x H)	280 x 230 x 68.5 mm (11.02 x 9.06 x 2.7 inches)
Weight (N.W.)	3.35 kg (7.39 lbs)
Mounting Mode	VESA 75 and 100
Material	Die-casting Aluminum with Heavy Duty Metal
Environment	
Operating Temperature	-30 to 60°C (-22 to 140°F)
Storage Temperature	-40 to 70°C (-40 to 158°F)
Relative Humidity	95% @ 70°C (158°F), non-condensing
Shock	MIL-STD-810H Method 514.8 Procedure I
Vibration	MIL-STD-810H Method 516.8 Procedure I
IP Rating	IP65 compliant
Certification	
EMC	CE, FCC

## Dimensions



## Ordering Information

Part No.	Description
VT-779-D000	VT-779, 10.4"(P-cap), i5(1235U), Barebone
VT-779-D100A-A01	VT-779, 10.4"(P-cap), i5(1235U), WiFi6E, Bluetooth, 2xTNC
VT-779-D400B-A01	VT-779, 10.4"(P-cap), i5(1235U), WiFi6E, Bluetooth, 4G (CN), GPS, 4xTNC
VT-779-DE00B-A01	VT-779, 10.4"(P-cap), i5(1235U), WiFi6E, Bluetooth, 4G (EU), GPS, 4xTNC
VT-779-DG00B-A01	VT-779, 10.4"(P-cap), i5(1235U), WiFi6E, Bluetooth, 4G (US), GPS, 4xTNC
VT-779-DH00B-A01	VT-779, 10.4"(P-cap), i5(1235U), WiFi6E, Bluetooth, 4G (JP), GPS, 4xTNC
VT-779-D600C-A01	VT-779, 10.4"(P-cap), i5(1235U), WiFi6E, Bluetooth, 5G (CN), GPS, 7xTNC
VT-779-DJ00C-A01	VT-779, 10.4"(P-cap), i5(1235U), WiFi6E, Bluetooth, 5G (Global), GPS, 7xTNC

## Optional Accessories

Part No.	Description
A.02.002.000096	DC power cord, 0P to 3P, M12-3P-Female, 2.0meters, RBY, 90°, 3CZ01029316, for VT/PWR input
A.03.004.001584	External cable (2xRS232), 150mm, M12/12P(M) to 2xDB9 (M) Connector, 3CZ01029383
A.02.004.000002	Rod antenna, TNC (Female), 3dB
A.02.004.000090	GPS antenna, TNC (Male), 3.0meters
C.02.009.000232	AC adapter (FSP), 110 to 240VAC Input, 12VDC/7A Output, M12 connector
C.02.099.000007	AC Power Cord (CN), 1.5meters
C.02.099.000008	AC Power Cord (US), 1.5meters
C.02.099.000009	AC Power Cord (UK), 1.5meters
C.02.099.000010	AC Power Cord (EU), 1.5meters