

# DPC-7185

18.5", Resistive / capacitive full plane touch screen, Intel Whiskey Lake Core I3/I5/I7 processor



## Features

- 18.5" LED backlight LCD, capacitive touch screen, resistive touch screen
- Fanless design, integral aluminum alloy profile heat dissipation.
- Intel Whiskey Lake Core I3/I5/I7 processor
- 3 COM, 4 USB, 2 GbE, HD Audio, VGA, HDMI
- Support WiFi 6 4G 5G communication
- Panel and VESA mounting



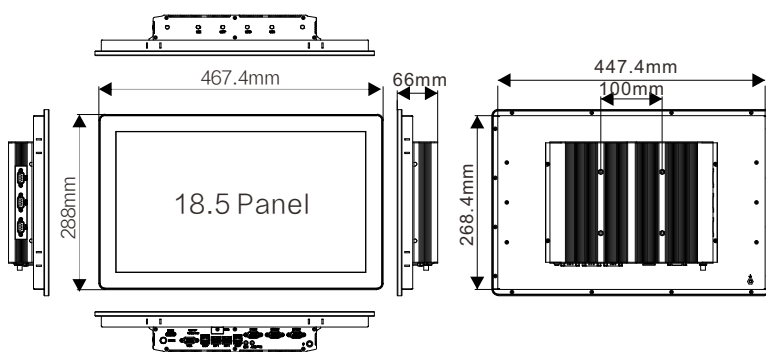
## Specifications

System	
CPU	Intel® Whiskey Lake-U I3-8145U (2.3GHz) Dual core four thread processor/ I5-8265U (1.6GHz)/ I7-8565U (1.8GHz) quad core eight thread processor
Memory	2 * SO-DIMM DDR4-2400 (UP to 32GB)
Storage	1 x 2.5" Driver Bay for SATA HDD/SSD 1 x Full-size Mini-PCIe for mSATA SSD
Operating System	Windows 8.1/10
Display	
Size	18.5-inch
Resolution	1920 x 1080
Viewing Angle	85/85/85/85
Brightness	250 cd/m <sup>2</sup>
Backlight	LED
LED Lifetime	30000 hrs
VGA	Up to 1920 ×1200@60Hz
HDMI	Up to 4096 ×2304@24Hz
Multi-Display	Dual display (LVDS + VGA/HDMI)
Touch Screen	
Type	5-Wire Analog Resistive Touch Projected Capacitive Touch
Transmittance	80%/87%
Control Interface	USB
Surface Hardness	≥3H/≥6H
I/O Connectors	
Serial Port	3 x RS-232 (COM2/3 support RS-232/422/485)
USB Port	2 x USB3.0 2 x USB2.0
Ethernet	2 x GbE LAN
Display Interface	1 x HDMI, 1 x VGA
Others	1 x DC-IN (2-Pin Phoenix)/1 x Remote Switch Connector 1 x ATX Power Switch/1 x AC LOSS 1 x SIM slot (4G 5G)

Expansion	
Mini-PCIe	1 x Full-size Mini-PCIe for WIFI
M.2	M.2 3042 for 4G ; M.2 3052 for 5G
Audio	
Audio	1 x Line-out 1 x Line-in
Speaker	2Ω5W speaker(Optional)
Power Specification	
Power Input	9~36V
Power Adapter	AC-DC, 12V@7A, 84W
Power Consumption	27W(Typ.)
Environment	
Operating Temperature	-10~50°C
Storage Temperature	-20~60°C
Relative Humidity	10%-90%, @ 40°C (non-condensing)
Vibration	5~500Hz, 0.026 G <sup>2</sup> /Hz, 2.16 Grms.X,Y,Z,1 hour per axis
Certifications	CE, FCC
Physical Characteristics	
Housing	Aluminum alloy panel, all-metal structure
Mounting Mode	Panel-mount, VESA-mount
Dimension (W x L x H)	467X288X65 mm
Weight	5.6Kg
Packing List	

- 1 x DPC-7185
- 1 x AC-DC Power Adapter
- 1 x Certificate
- 1 x Warranty Card
- 8 x Panel Mounting Buckles

## Dimension



- A B C DEF G H I J K LM NO
- A: Power Switch
  - B: COM3
  - C: COM2
  - D: COM1
  - E: Line-out
  - F: MIC
  - G: USB
  - H: LAN
  - I: SIM
  - J: LAN
  - K: USB
  - L: AC-Loss
  - M: VGA
  - N: HDMI
  - O: DC-Input